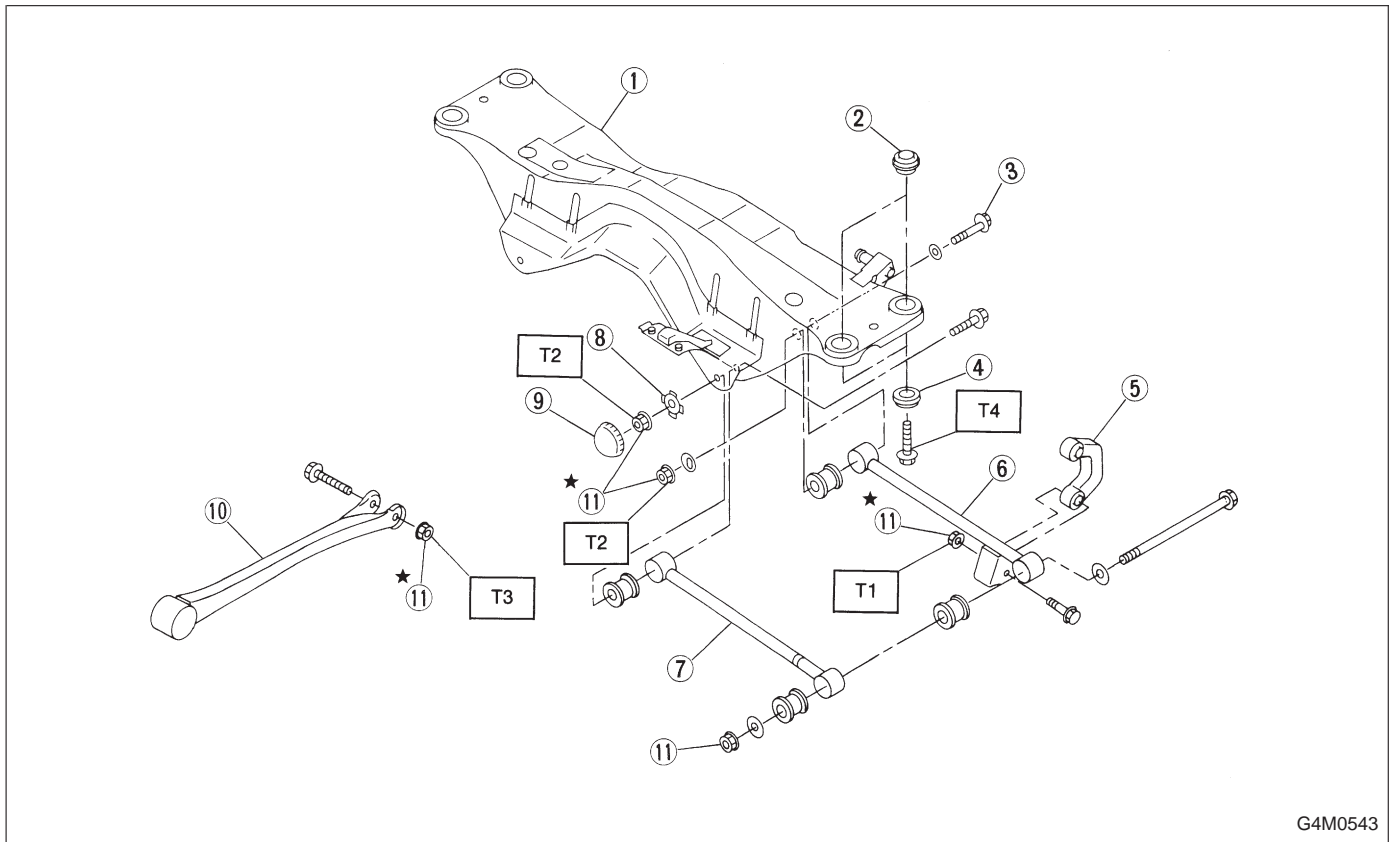


# 11. Rear Crossmember (AWD Model)

## A: REMOVAL



G4M0543

- |                     |                      |
|---------------------|----------------------|
| ① Crossmember       | ⑦ Front lateral link |
| ② Floating bushing  | ⑧ Washer             |
| ③ Adjusting bolt    | ⑨ Cap                |
| ④ Stopper           | ⑩ Trailing link      |
| ⑤ Stabilizer link   | ⑪ Self-locking nut   |
| ⑥ Rear lateral link |                      |

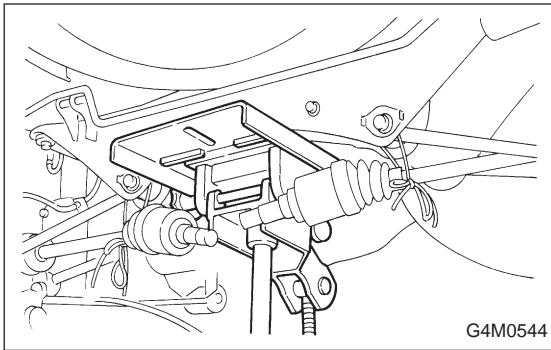
**Tightening torque: N·m (kg·m, ft·lb)**

- T1: 44±6 (4.5±0.6, 32.5±4.3)  
 T2: 98±15 (10.0±1.5, 72±11)  
 T3: 113±15 (11.5±1.5, 83±11)  
 T4: 127±20 (13.0±2.0, 94±14)

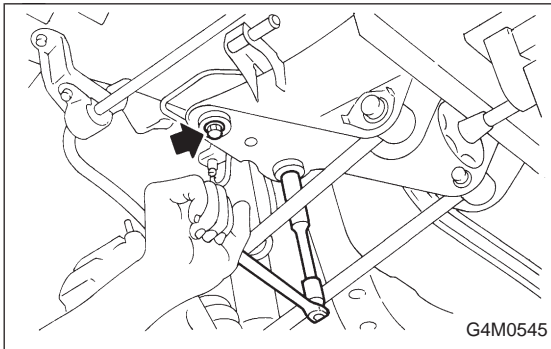
**CAUTION:**

**Do not subject A.B.S. sensor harness to excessive tension (if equipped).**

- 1) Separate front exhaust pipe and rear exhaust pipe.
- 2) Remove rear exhaust pipe and muffler.
- 3) Remove rear differential. <Ref. to 3-4 [W2C0].>



4) Place transmission jack under rear crossmember.



5) Remove bolts securing crossmember to car body, and remove crossmember.

6) Scribe an alignment mark on rear lateral link cam bolt and crossmember.

7) Remove front and rear lateral links by loosening nuts.

## B: INSPECTION

Check removed parts for wear, damage and cracks, and correct or replace if defective.

## C: INSTALLATION

1) Install in reverse order of removal.

2) For installation and tightening torque of rear differential, refer to 3-4 [W2G0].

3) Always tighten rubber bushing location when wheels are in full contact with the ground and vehicle is curb weight.

NOTE:

Check wheel alignment and adjust if necessary.