

9. Rear Quarter Trim Panel (Wagon)

A: REMOVAL

- 1) Set rear seat cushion up.
- 2) Remove rear seat backrest.
- 3) Remove sideshelf and rear skirt trim.
- 4) Remove clip and screw of rear quarter lower trim.
- 5) Remove rear quarter lower trim.

B: INSTALLATION

Installation is in the reverse order of removal.

CAUTION:

Be careful not to ride trim panel over harness, insulators, etc.

10. Floor Mat **AIRBAG**

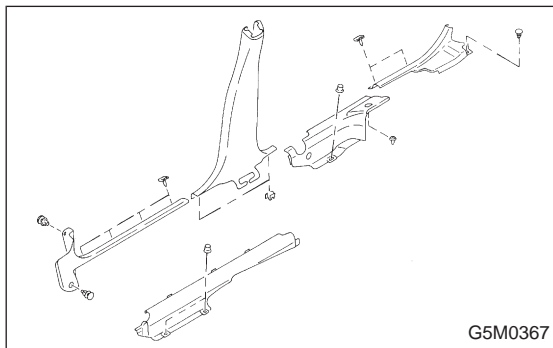
Supplemental Restraint System "Airbag"

Airbag system wiring harness is routed near floor mat.

CAUTION:

- All Airbag system wiring harness and connectors are colored yellow. Do not use electrical test equipment on these circuit.
- Be careful not to damage Airbag system wiring harness when servicing floor mat.

The following procedure is applicable to all models.



A: REMOVAL

- 1) Remove front seats.
- 2) Remove rear seat cushion.
- 3) Remove center tray, indicator cover, cover assembly, and console box, depending on the specifications.
- 4) Remove front pillar lower trim panel.
- 5) Remove center pillar lower trim panel.
- 6) Remove three clips under rear seat cushion.
- 7) Remove rear cover side plate and rear pillar lower trim.
- 8) Pull out edge in the groove of side sill cover.