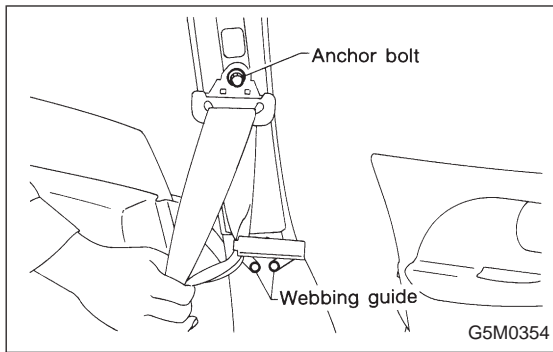
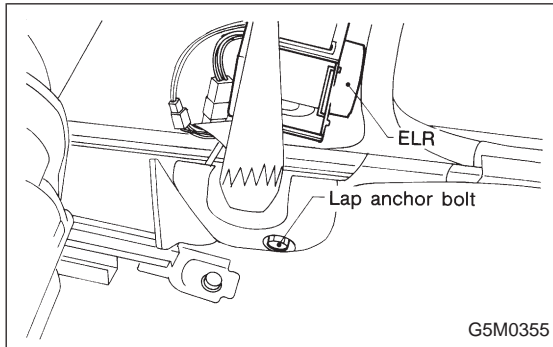


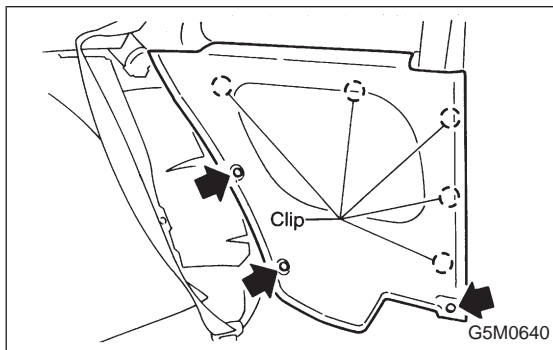
4. Front Seat Belt

**4. Front Seat Belt****A: REMOVAL****1. OUTER BELT (SEDAN AND WAGON MODEL)**

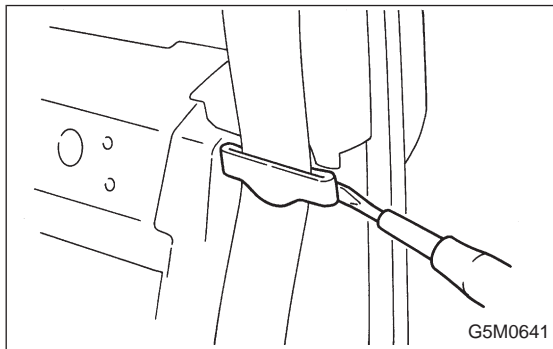
- 1) Remove through-anchor cover cap.
- 2) Remove shoulder anchor bolt.
- 3) Remove webbing guide.



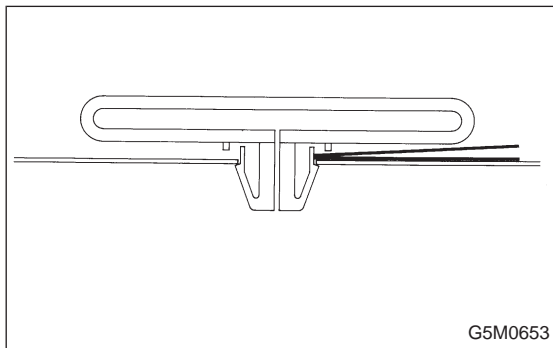
- 4) Remove center lower pillar trim panel.
- 5) Remove front cover side plate.
- 6) Roll up floor mat at the bottom of center pillar.
- 7) Remove lap anchor bolt.
- 8) Remove belt retractor and outer belt.

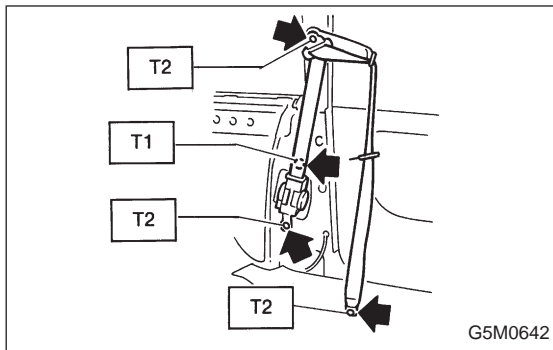
**2. OUTER BELT (COUPE MODEL)**

- 1) Remove rear seat cushion and back rest.
<Ref. to 5-3 [W2A0].>
- 2) Remove rear quarter trim.



- 3) Remove webbing guide.



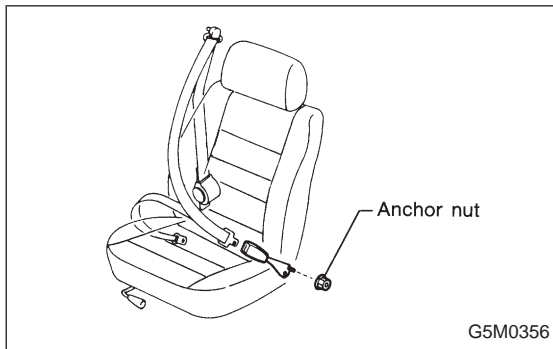


- 4) Remove anchor cover cap.
- 5) Remove four bolts and then belt retractor and outer belt.

Tightening torque:

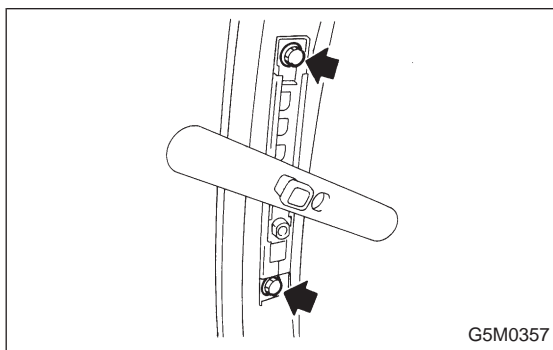
T1: 13 ± 3 N·m (1.3±0.3 kg-m, 9.4±2.2 ft-lb)

T2: 35 ± 13 N·m (3.6±1.3 kg-m, 26±9 ft-lb)



3. INNER BELT

- 1) Remove anchor nut.



4. ADJUSTABLE SHOULDER ANCHOR

- 1) Remove shoulder anchor bolt.
- 2) Remove lower center pillar trim.
- 3) Remove front and front pillar trim panel.
- 4) Remove adjustable shoulder anchor assembly.

B: INSTALLATION

Installation is in the reverse order of removal.

CAUTION:

- The left and right ELR's are not mutually interchangeable because different sensors are used.
- Be careful not to twist belts during installation.