

- 4) Start the engine.
- 5) Measure fuel pressure while disconnecting pressure regulator vacuum hose from collector chamber.

Fuel pressure:

235 — 265 kPa (2.4 — 2.7 kg/cm², 34 — 38 psi)

- 6) After connecting pressure regulator vacuum hose, measure fuel pressure.

Fuel pressure:

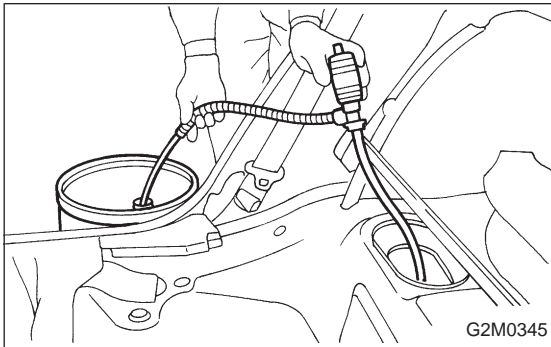
177 — 206 kPa (1.8 — 2.1 kg/cm², 26 — 30 psi)

WARNING:

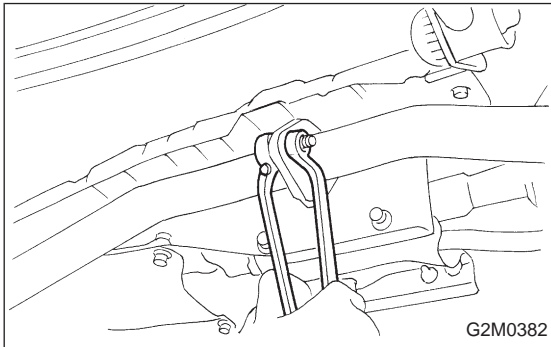
Before removing fuel pressure gauge, release fuel pressure.

NOTE:

If out of specification as measured at step 6), check or replace pressure regulator and pressure regulator vacuum hose.

**3. Fuel Tank****A: REMOVAL**

- 1) Release fuel pressure. <Ref. to 2-8 [W1A0].>
- 2) Drain fuel from fuel tank. <Ref. to 2-8 [W1B0].>



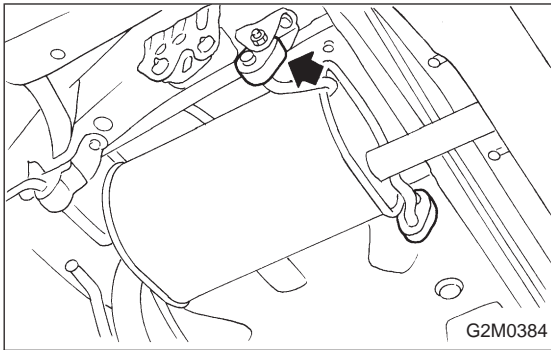
- 3) Remove rear exhaust pipe.

- (1) Lift up the vehicle.
- (2) Separate rear exhaust pipe from front catalytic converter.
- (3) Separate rear exhaust pipe from muffler.
- (4) Remove hook from rubber cushion, and remove exhaust pipe.

NOTE:

To facilitate the removal of parts, apply a coat of SUBARU CRC5-56 (004301003)

<Ref. to 2-9 [W2A0].>

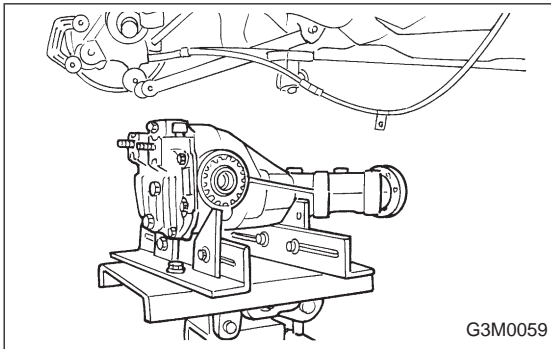


4) Remove muffler assembly.

NOTE:

To facilitate the removal of parts, apply a coat of SUBARU CRC5-56 (004301003)

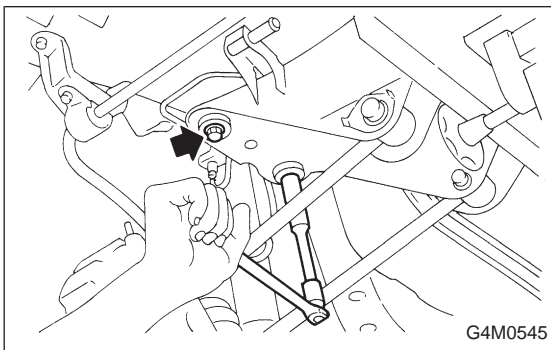
<Ref. to 2-9 [W3A0].>



5) Remove rear differential assembly. (AWD model)

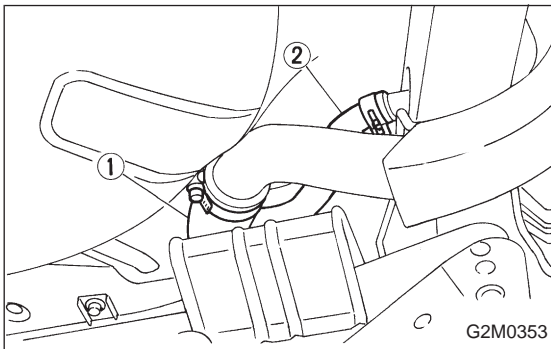
- (1) Remove rear axle shafts from rear differential assembly.
- (2) Remove rear differential front cover.
- (3) Remove propeller shaft.
- (4) Remove lower differential bracket.
- (5) Set transmission jack under rear differential.
- (6) Remove bolts which install rear differential onto rear crossmember.

<Ref. to 3-4 [W2C0].>



6) Remove rear crossmember. (AWD model)

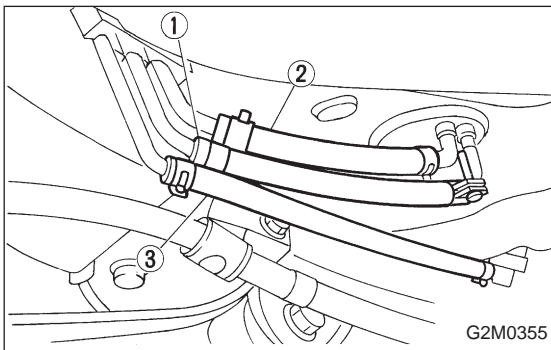
<Ref. to 4-1 [W11A0].>



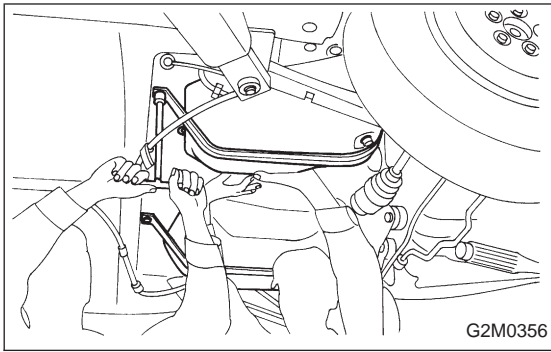
7) Loosen clamp, and disconnect fuel filler hose from pipe.

8) Loosen clamp, and disconnect air vent hose from air vent pipe.

- ① Fuel filler hose
- ② Air vent hose



9) Loosen clip and clamps, and disconnect fuel delivery hose ①, return hose ② and evaporation hose ③.



10) While holding fuel tank, remove bolts from bands and dismount fuel tank.

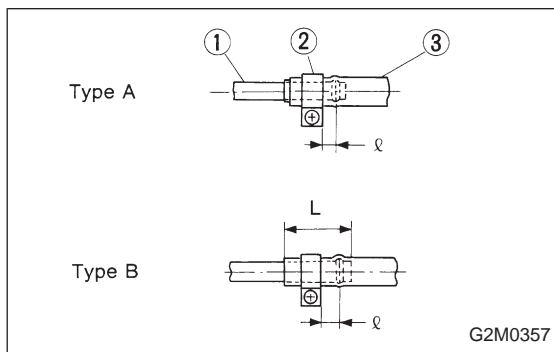
WARNING:

A helper is required to perform step 10).

B: INSTALLATION

Installation is in the reverse order of removal. Observe the following:

- 1) When installing fuel tank, have a helper hold fuel tank while installing bands.
- 2) Before tightening band mounting bolts, connect fuel system hoses.



3) Install hose and hold down clips at positions indicated in Figure.

Tightening torque:

1.0 — 1.5 N·m (0.1 — 0.15 kg-m, 0.7 — 1.1 ft-lb)

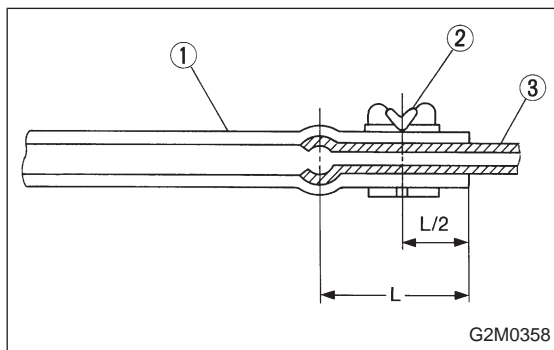
Type A: When fitting length is specified.

Type B: When fitting length is not specified.

- ① Fitting
- ② Clamp
- ③ Hose

l : 1.0 — 4.0 mm (0.04 — 0.16 in)

L : 20 — 25 mm (0.79 — 0.98 in)



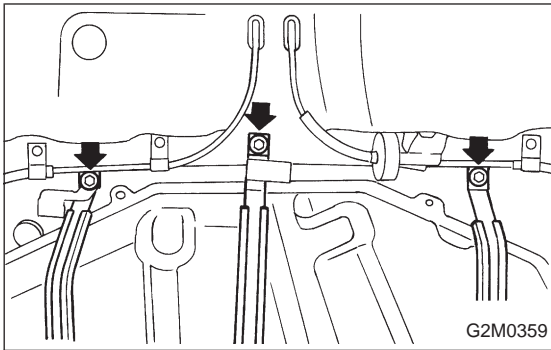
- ① Hose
- ② Clip
- ③ Pipe

Fuel return hose:

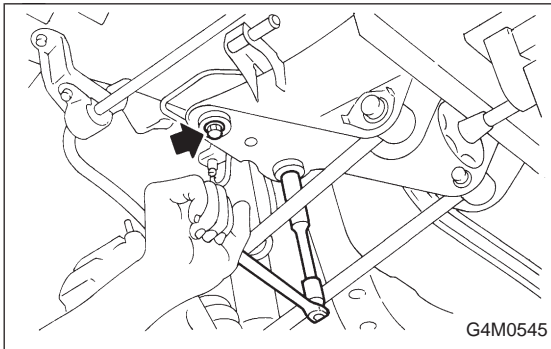
$L = 20 — 25$ mm (0.79 — 0.98 in)

Evaporation hose:

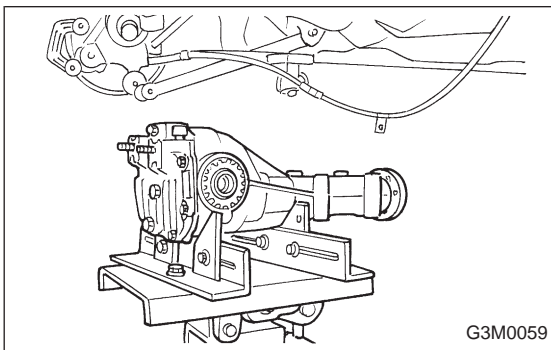
$L = 15 — 20$ mm (0.59 — 0.79 in)



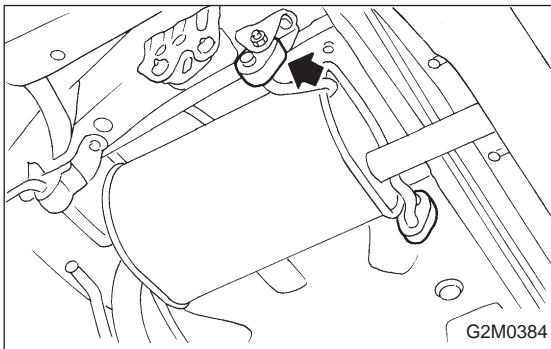
- 4) Tighten band mounting bolts.
Tightening torque:
 $33 \pm 10 \text{ N}\cdot\text{m}$ ($3.4 \pm 1.0 \text{ kg}\cdot\text{m}$, $25 \pm 7 \text{ ft}\cdot\text{lb}$)



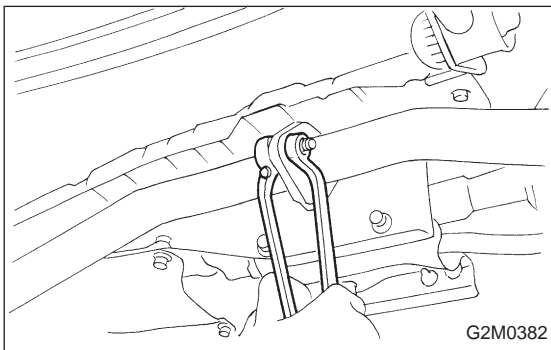
- 5) Install rear crossmember. <Ref. to 4-1 [W11C0].>



- 6) Install rear differential assembly. <Ref. to 3-4 [W2G0].>

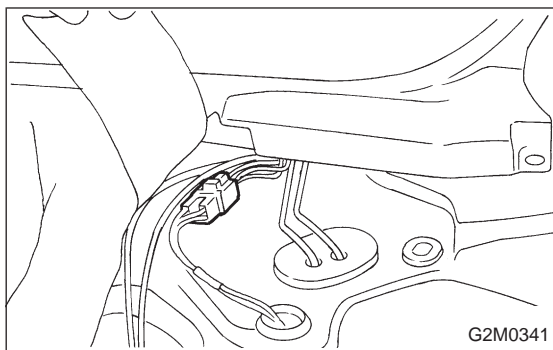


- 7) Install muffler assembly.

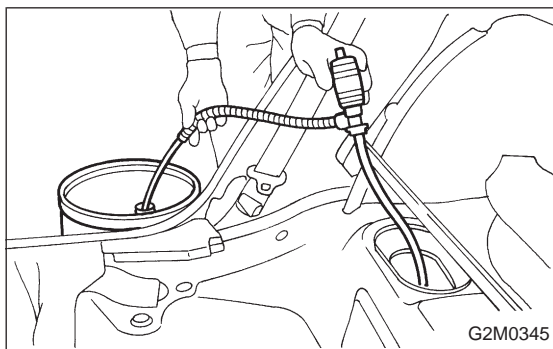


- 8) Install heat sealed cover.
 9) Install rear exhaust pipe.

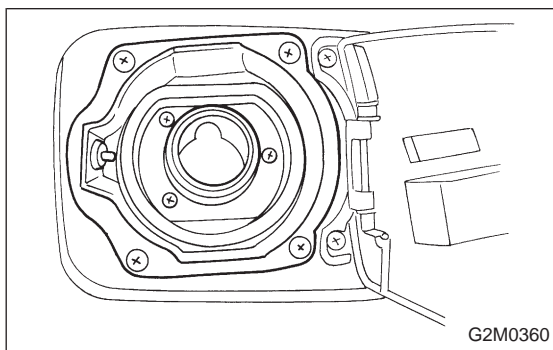
3. Fuel Tank - 4. Fuel Filler Pipe



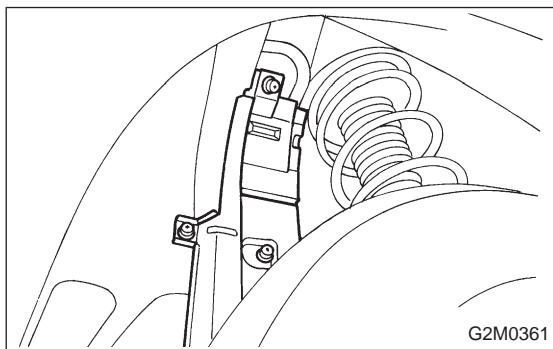
- 10) Lower the vehicle, and connect connector to fuel pump.
- 11) Install access hole lid.
- 12) Install rear seat back and rear seat.

**4. Fuel Filler Pipe****A: REMOVAL**

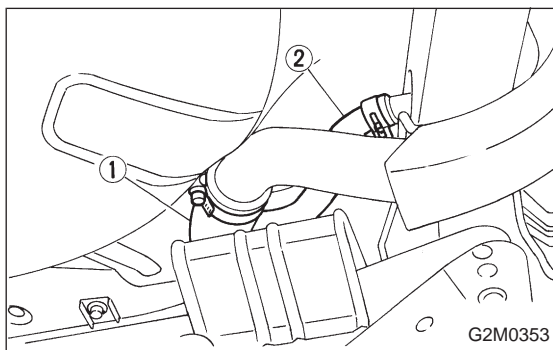
- 1) Release fuel pressure. <Ref. to 2-8 [W1A0].>
- 2) Drain fuel from fuel tank. <Ref. to 2-8 [W1B0].>



- 3) Remove right rear wheel.
- 4) Open fuel filler flap and remove filler cap.
- 5) Remove screws holding packing in place.



- 6) Lift up the vehicle.
- 7) Remove fuel filler pipe protector.



- 8) Remove clip, and separate air vent hose from pipe.
- 9) Loosen clamp, and separate fuel filler hose from pipe.
- ① Fuel filler hose
- ② Air vent hose
- 10) Remove fuel filler pipe to under side of the vehicle.