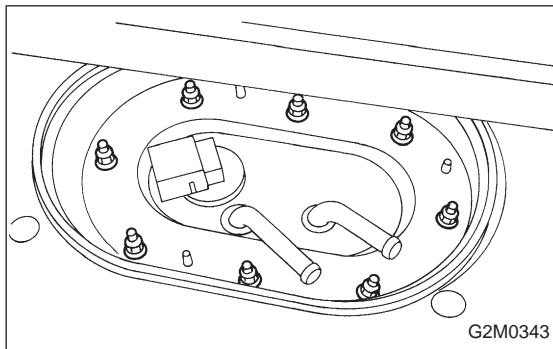


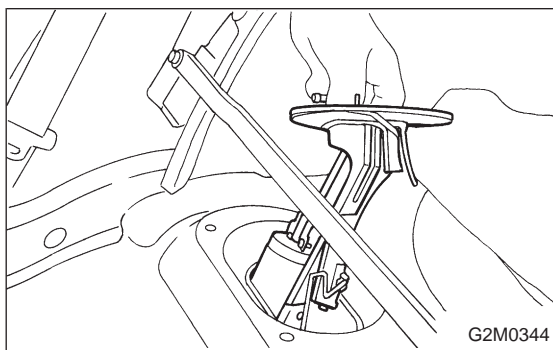
6. Fuel Pump

A: REMOVAL

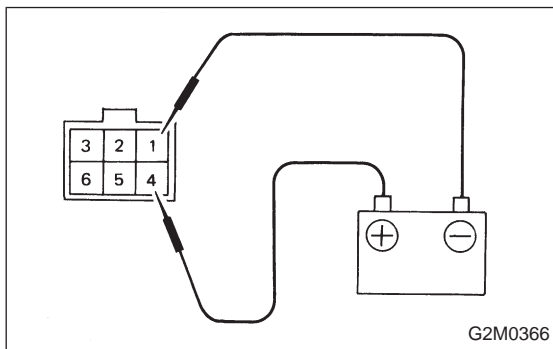
- 1) Release fuel pressure. <Ref. to 2-8 [W1A0].>
- 2) Disconnect fuel delivery hose ① and return hose ②.



- 3) Remove nuts which install fuel pump onto fuel tank.



- 4) Take off fuel pump from fuel tank.

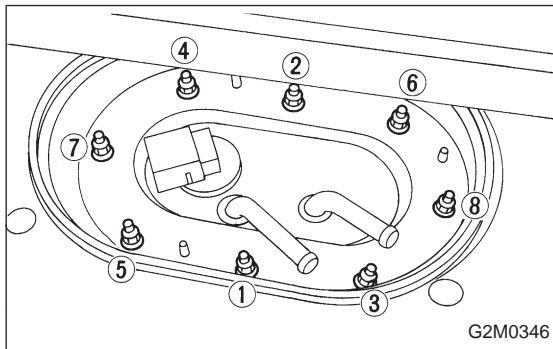
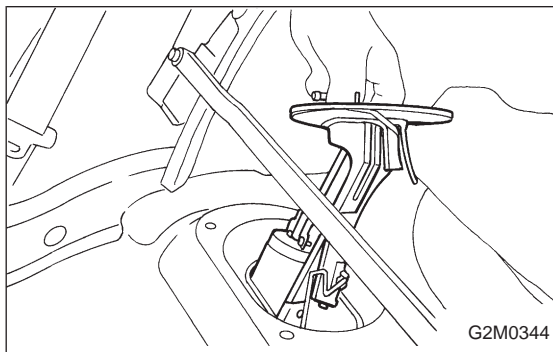
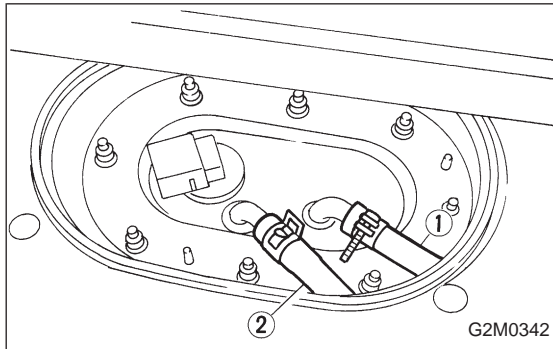
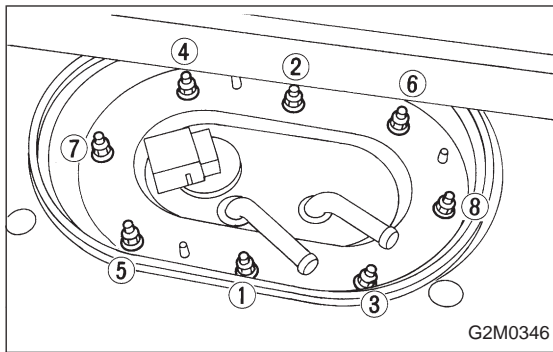


B: INSPECTION

Connect lead harness to connector terminal of fuel pump, and apply a 12 V power supply to check whether the pump operate.

WARNING:

- Wipe off the fuel completely.
- Keep battery as far apart from fuel pump as possible.
- Be sure to turn the 12 V supply ON and OFF on the battery side.
- Do not run fuel pump for a long time under non-load condition.



C: INSTALLATION

Installation is in the reverse order of removal. Observe the following:

- (1) Always use new gaskets.
- (2) Ensure sealing portion is free from fuel or foreign particles before installation.
- (3) Tighten nuts in numerical sequence shown in Figure to specified torque.

Tightening torque:

$4.4 \pm 1.5 \text{ N}\cdot\text{m}$ ($0.45 \pm 0.15 \text{ kg}\cdot\text{m}$, $3.3 \pm 1.1 \text{ ft}\cdot\text{lb}$)

7. Fuel Meter Unit

A: REMOVAL

NOTE:

Fuel meter unit is built in fuel pump assembly.

- 1) Release fuel pressure. <Ref. to 2-8 [W1A0].>
- 2) Disconnect fuel delivery hose ① and return hose ②.

- 3) Remove nuts which install fuel pump onto fuel tank.
- 4) Take off fuel pump assembly.

B: INSTALLATION

Installation is in the reverse order of removal. <Ref. to 2-8 [W6C0].>

Tighten nuts in numerical sequence shown in Figure to specified torque.

Tightening torque:

$4.4 \pm 1.5 \text{ N}\cdot\text{m}$ ($0.45 \pm 0.15 \text{ kg}\cdot\text{m}$, $3.3 \pm 1.1 \text{ ft}\cdot\text{lb}$)