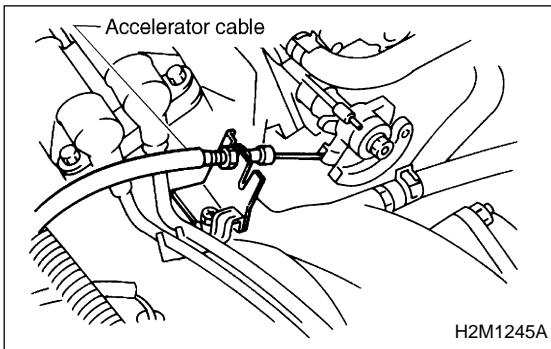


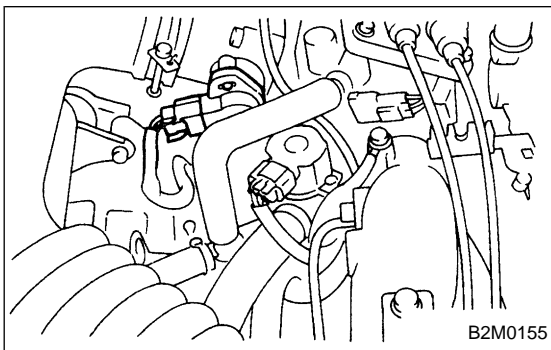
3. Throttle Body

A: REMOVAL AND INSTALLATION

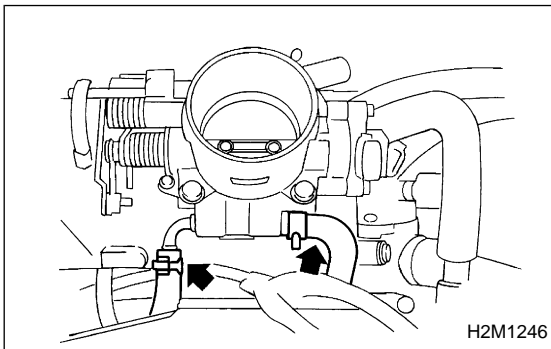
1) Remove air intake duct.



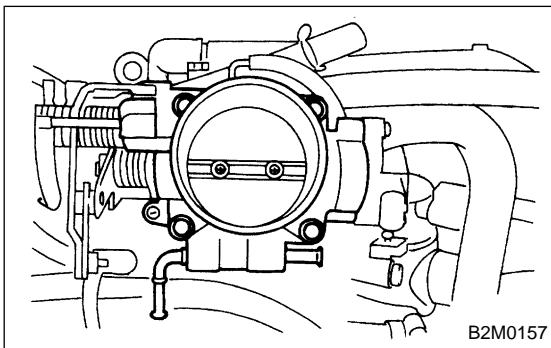
2) Disconnect accelerator cable.



3) Disconnect connector from throttle position sensor.



4) Disconnect engine coolant hoses from throttle body.



5) Remove bolts which install throttle body to intake manifold.

6) Installation is in the reverse order of removal.

CAUTION:

Always use a new gasket.

Tightening torque:

22 ± 2 N·m (2.2 ± 0.2 kg·m, 15.9 ± 1.4 ft·lb)