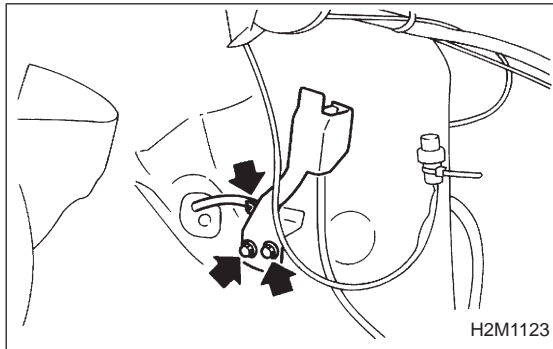


23. Fuel Tank Pressure Sensor (California FWD Model)

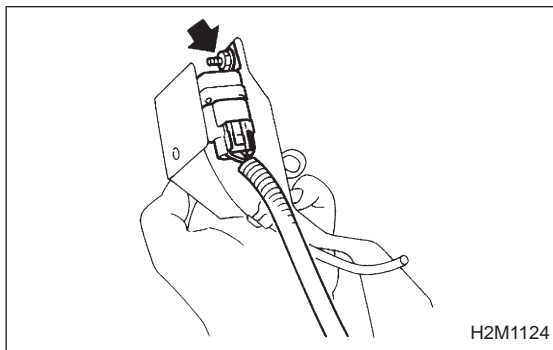
A: REMOVAL AND INSTALLATION

1) Remove right side rear quarter trim.



2) Disconnect hose from connection pipe.

3) Remove bolts which install fuel tank pressure sensor bracket on body.

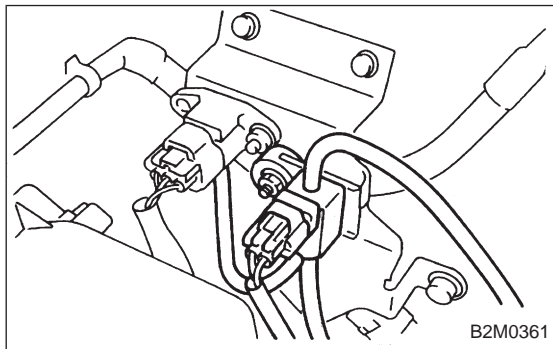


4) Disconnect connector from fuel tank pressure sensor.

5) Remove fuel tank pressure sensor from bracket.

6) Disconnect hose from fuel tank pressure sensor.

7) Installation is in the reverse order of removal.

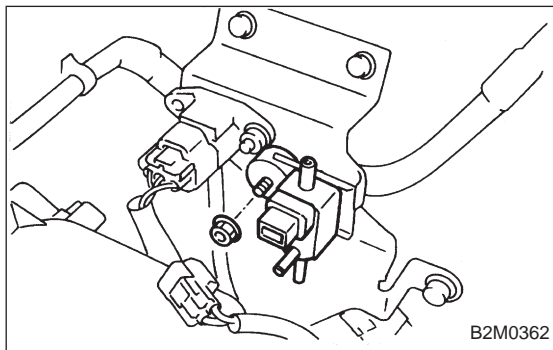


24. Pressure Sources Switching Solenoid Valve (2200 cc Model)

A: REMOVAL AND INSTALLATION

1) Disconnect connector from pressure sources switching solenoid valve.

2) Disconnect hoses from pressure sources switching solenoid valve.



3) Remove pressure sources switching solenoid valve from bracket.

4) Installation is in the reverse order of removal.

Tightening torque:

$6.4 \pm 0.5 \text{ N}\cdot\text{m}$ ($0.65 \pm 0.05 \text{ kg}\cdot\text{m}$, $4.7 \pm 0.4 \text{ ft}\cdot\text{lb}$)