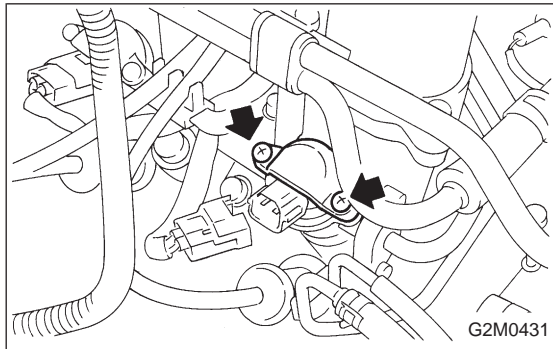


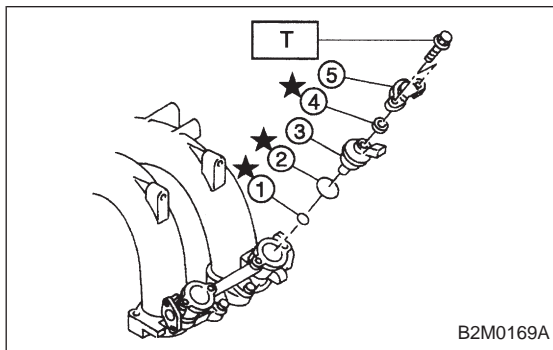
18. Fuel Injector

A: REMOVAL AND INSTALLATION

- 1) Release fuel pressure.
<Ref. to 2-8 [W1A0].>
- 2) Disconnect connector from fuel injector.



- 3) Remove fuel injector from fuel pipe assembly.



- 4) Installation is in the reverse order of removal.

CAUTION:
Replace O-rings and insulator.

Tightening torque:

T: 3.4 ± 0.5 N·m (0.35 ± 0.05 kg·m, 2.5 ± 0.4 ft·lb)

- ① O-ring B
- ② O-ring A
- ③ Fuel injector
- ④ Insulator
- ⑤ Fuel injector cup