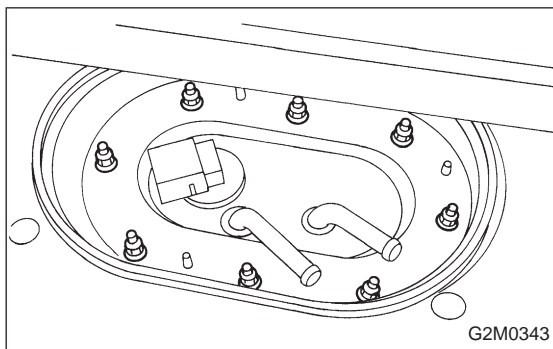


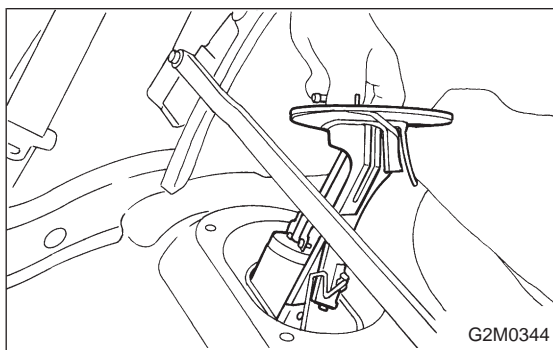
## 22. Fuel Temperature Sensor (California FWD Model)

### A: REMOVAL

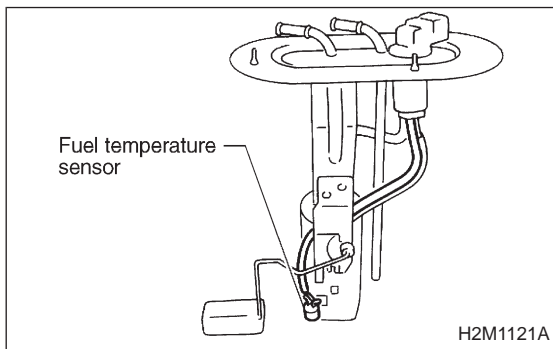
- 1) Release fuel pressure. <Ref. to 2-8 [W1A0].>
- 2) Disconnect fuel delivery hose ① and return hose ②.



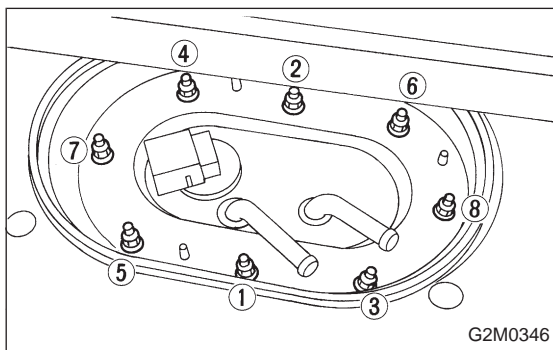
- 3) Remove nuts which install fuel pump assembly onto fuel tank.



- 4) Take off fuel pump from fuel tank.



- 5) Remove fuel temperature sensor from fuel pump assembly.



### B: INSTALLATION

Installation is in the reverse order of removal. Do the following:

- (1) Always use new gaskets.
- (2) Ensure sealing portion is free from fuel or foreign particles before installation.
- (3) Tighten nuts in numerical sequence shown in Figure to specified torque.

#### Tightening torque:

**4.4±1.5 N·m (0.45±0.15 kg-m, 3.3±1.1 ft-lb)**