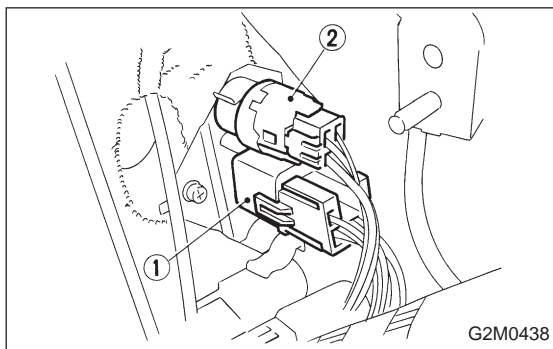


20. Main Relay and Fuel Pump Relay

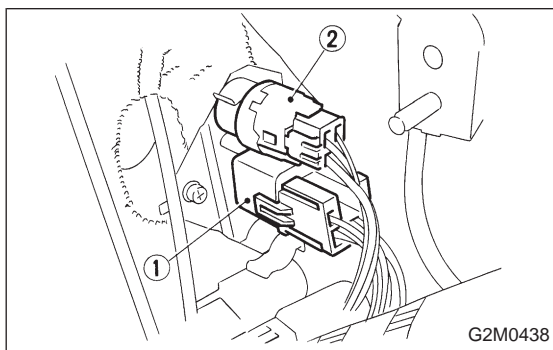
A: REMOVAL AND INSTALLATION

1) Disconnect battery ground cable.



2) Remove screw which installs bracket of main relay ① and fuel pump relay ②.

3) Disconnect connectors from main relay and fuel pump relay.



4) Installation is in the reverse order of removal.

① Main relay

② Fuel pump relay