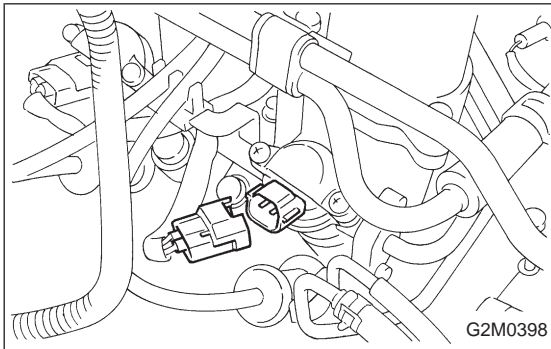


3) Installation is in the reverse order of removal.

Tightening torque:

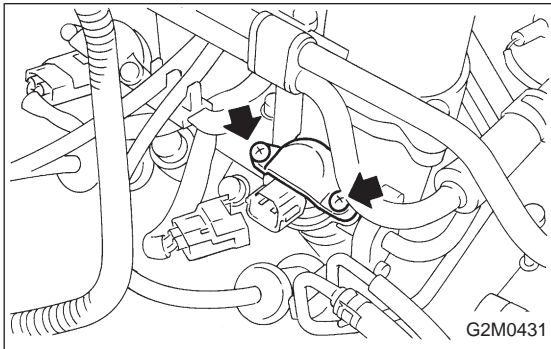
$19\pm 4.9\text{ N}\cdot\text{m}$ ($1.9\pm 0.5\text{ kg}\cdot\text{m}$, $13.7\pm 3.6\text{ ft}\cdot\text{lb}$)



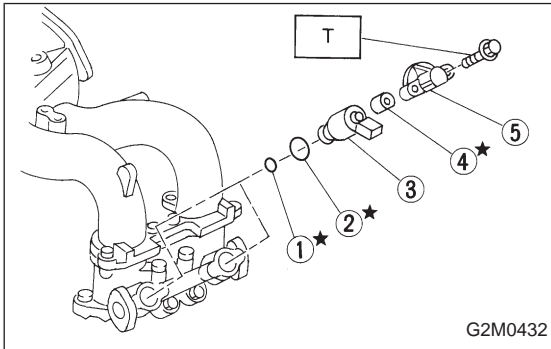
17. Fuel Injector

A: REMOVAL AND INSTALLATION

- 1) Release fuel pressure.
- 2) Disconnect connector from fuel injector.



3) Remove fuel injector from fuel pipe assembly.



4) Installation is in the reverse order of removal.

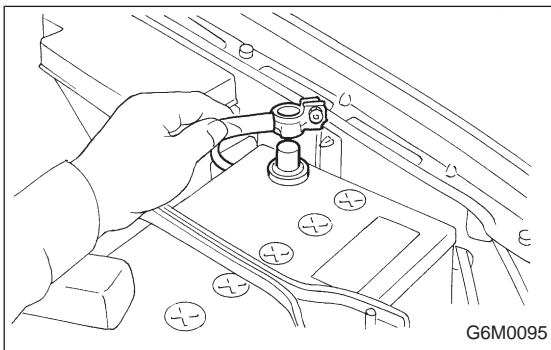
CAUTION:

Replace O-rings and insulator.

Tightening torque:

$3.4\pm 0.5\text{ N}\cdot\text{m}$ ($0.35\pm 0.05\text{ kg}\cdot\text{m}$, $2.5\pm 0.4\text{ ft}\cdot\text{lb}$)

- ① O-ring B
- ② O-ring A
- ③ Fuel injector
- ④ Insulator
- ⑤ Fuel injector cup

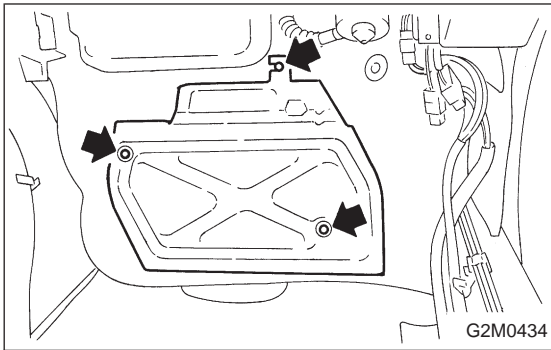


18. Engine Control Module

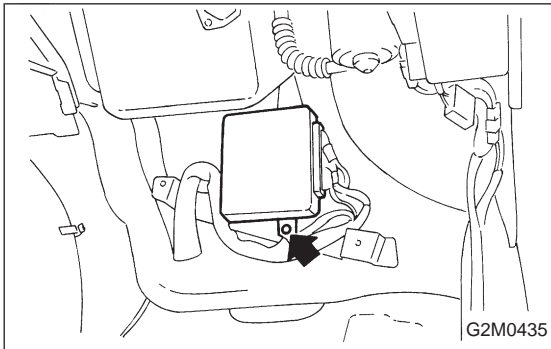
A: REMOVAL AND INSTALLATION

1. 1800 cc MODEL

- 1) Disconnect battery ground cable.

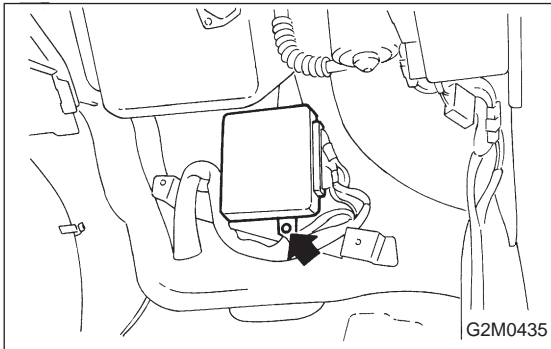


- 2) Detach floor mat of front passenger seat.
- 3) Remove protect cover.

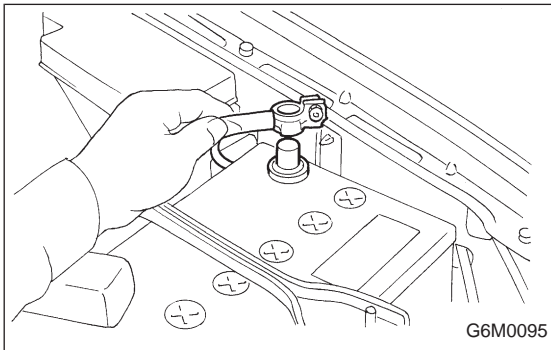


- 4) Remove nuts which install ECM onto body.

- 5) Take out ECM and disconnect connector from it.

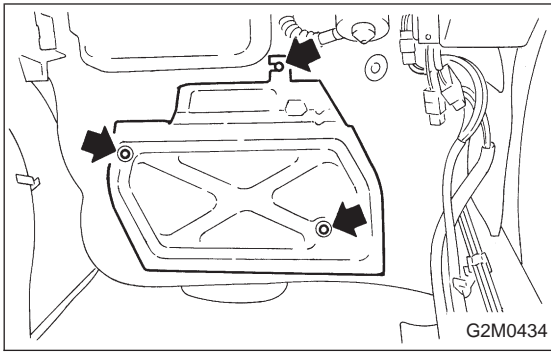


- 6) Installation is in the reverse order of removal.

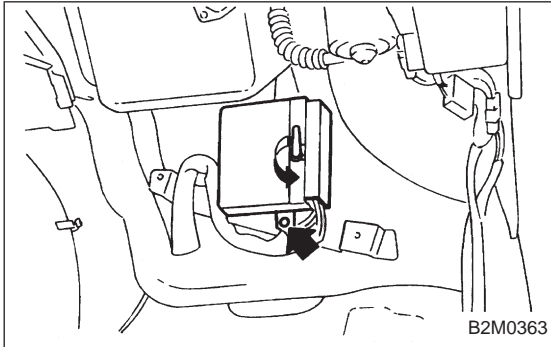


2. 2200 cc MODEL

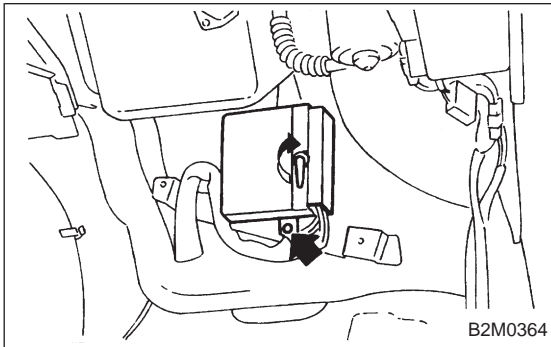
- 1) Disconnect battery ground cable.



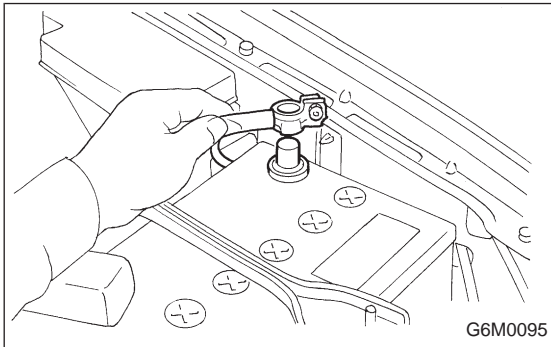
- 2) Detach floor mat of front passenger seat.
- 3) Remove protect cover.



- 4) Release the lock of ECM connector and disconnect it.
- 5) Remove nuts which install ECM onto body.
- 6) Take out ECM.



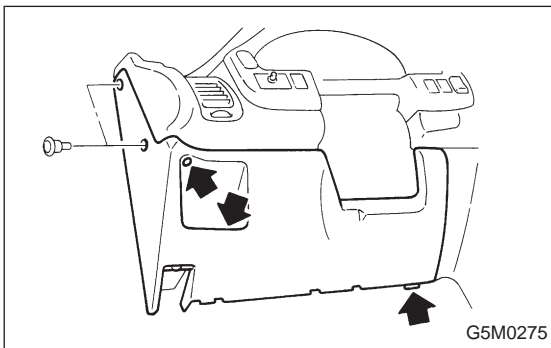
- 7) Connect ECM connector and lock it.
- 8) Installation is in the reverse order of removal.



19. Main Relay and Fuel Pump Relay

A: REMOVAL AND INSTALLATION

- 1) Disconnect battery ground cable.



- 2) Remove steering lower cover.
- 3) Remove front pillar lower trim.