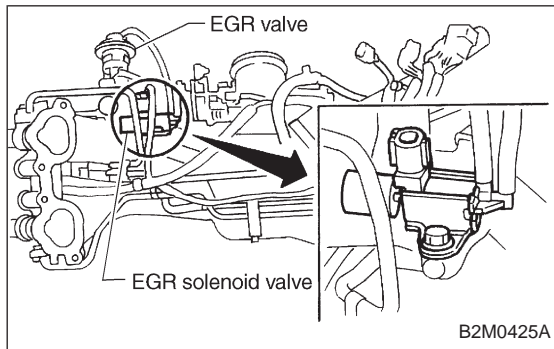


15. Back-Pressure Transducer (BPT)

A: REMOVAL AND INSTALLATION

- 1) Disconnect vacuum hoses from BPT.
- 2) Remove BPT from bracket.
- 3) Installation is in the reverse order of removal.



16. EGR Solenoid Valve

A: REMOVAL AND INSTALLATION

- 1) Remove bolt which installs EGR solenoid valve onto intake manifold.
- 2) Disconnect hoses and connector from EGR solenoid valve.

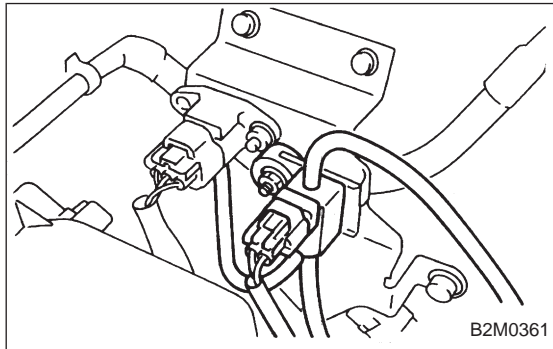
NOTE:

This figure shows the intake manifold detached from cylinder heads.

- 3) Installation is in the reverse order of removal.

Tightening torque:

$16 \pm 1.5 \text{ N}\cdot\text{m}$ ($1.6 \pm 0.15 \text{ kg}\cdot\text{m}$, $11.6 \pm 1.1 \text{ ft}\cdot\text{lb}$)



17. Pressure Sources Switching Solenoid Valve

A: REMOVAL AND INSTALLATION

- 1) Disconnect connector from pressure sources switching solenoid valve.
- 2) Disconnect hoses from pressure sources switching solenoid valve.

- 3) Remove pressure sources switching solenoid valve from bracket.
- 4) Installation is in the reverse order of removal.

Tightening torque:

$6.4 \pm 0.5 \text{ N}\cdot\text{m}$ ($0.65 \pm 0.05 \text{ kg}\cdot\text{m}$, $4.7 \pm 0.4 \text{ ft}\cdot\text{lb}$)

