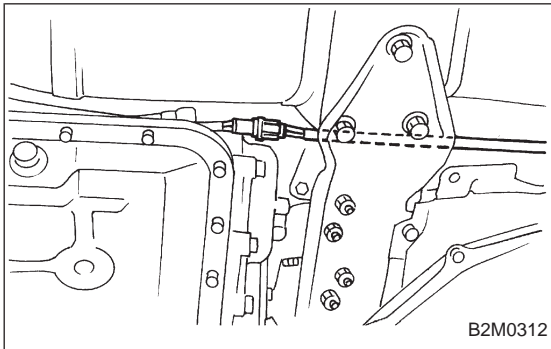


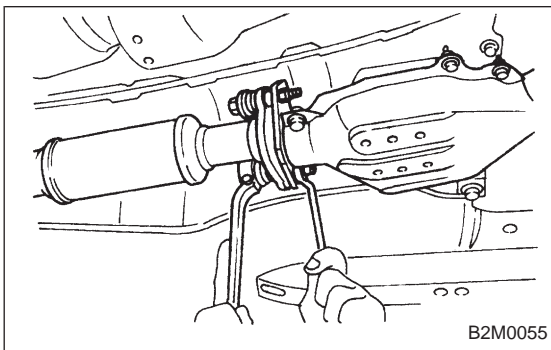
- 7) Lower the vehicle.
- 8) Connect front oxygen sensor connector.



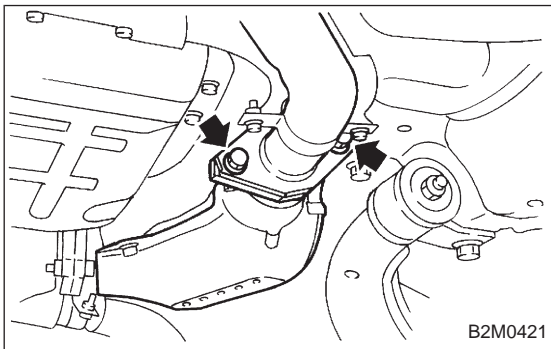
5. Rear Catalytic Converter

A: REMOVAL

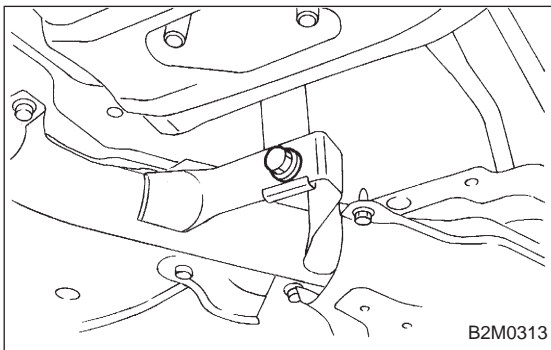
- 1) Lift-up the vehicle.
- 2) Disconnect rear oxygen sensor connector. (2200 cc)



- 3) Separate center exhaust pipe and rear catalytic converter assembly from rear exhaust pipe.



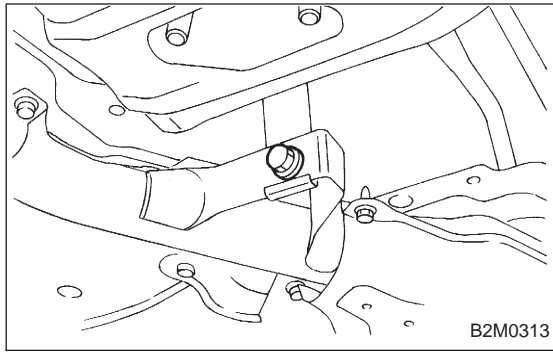
- 4) Separate center exhaust pipe and rear catalytic converter assembly from front catalytic converter.



- 5) Remove center exhaust pipe and rear catalytic converter assembly from hanger bracket.

CAUTION:

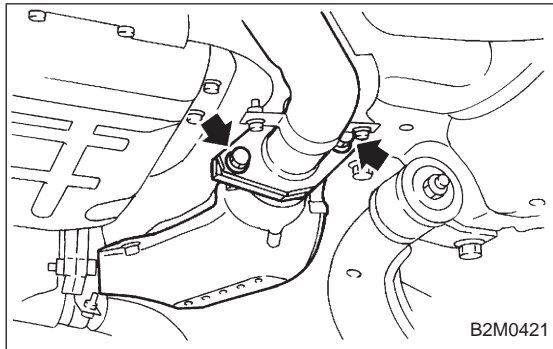
- Be careful not to pull down center exhaust pipe.
- After removing center exhaust pipe, do not apply excessive pulling force on front catalytic converter and front exhaust pipe.

**B: INSTALLATION****CAUTION:**

Replace gaskets with new ones.

1) Install center exhaust pipe and rear catalytic converter assembly.

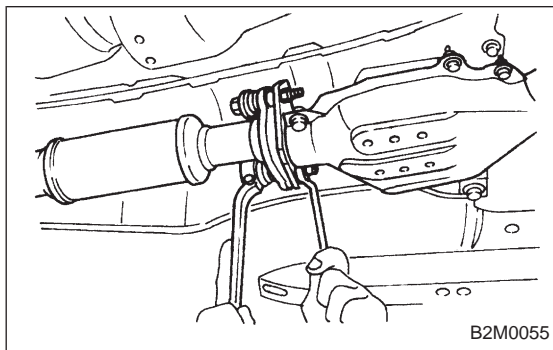
Temporarily tighten bolt which installs center exhaust pipe to hanger bracket.



2) Install center exhaust pipe to front catalytic converter.

Tightening torque:

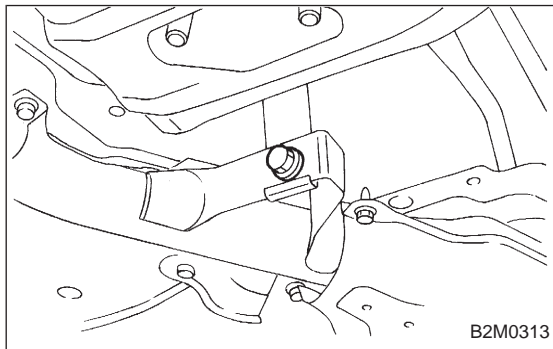
35 ± 5 N·m (3.6 ± 0.5 kg·m, 26.0 ± 3.6 ft-lb)



3) Install center exhaust pipe to rear exhaust pipe.

Tightening torque:

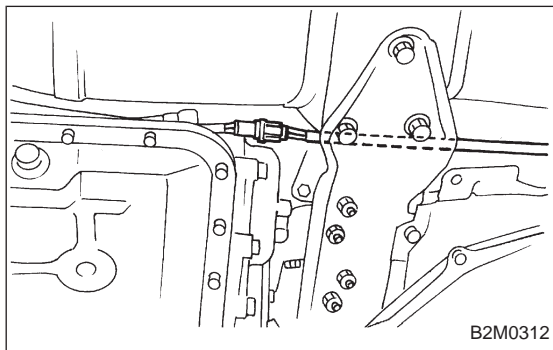
18 ± 5 N·m (1.8 ± 0.5 kg·m, 13.0 ± 3.6 ft-lb)



4) Tighten bolt which holds center exhaust pipe to hanger bracket.

Tightening torque:

35 ± 5 N·m (3.6 ± 0.5 kg·m, 26.0 ± 3.6 ft-lb)



5) Connect rear oxygen sensor connector. (2200 cc)