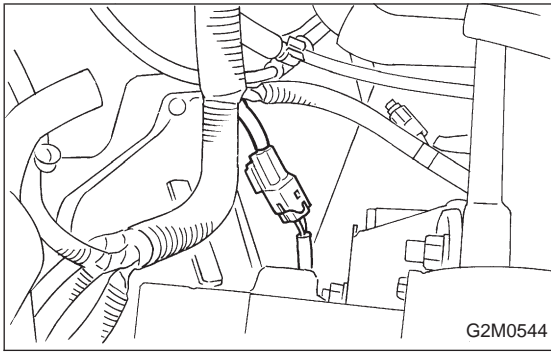


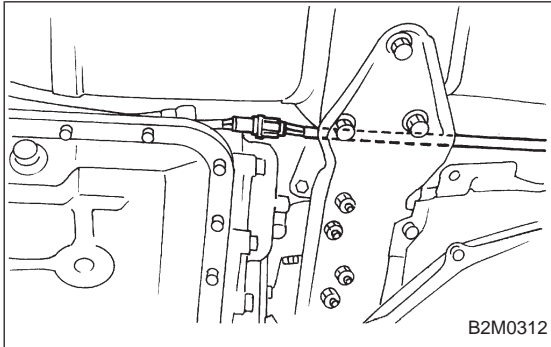
1. Front Exhaust Pipe and Center Exhaust Pipe



1. Front Exhaust Pipe and Center Exhaust Pipe

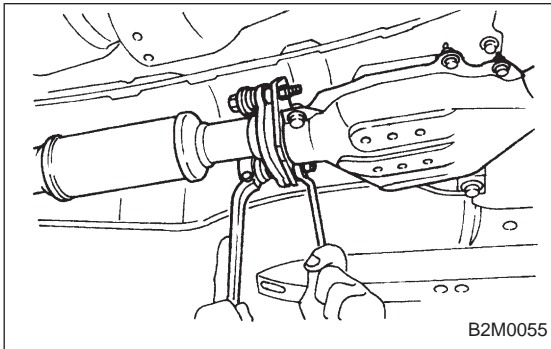
A: REMOVAL

1) Disconnect front oxygen sensor connector.

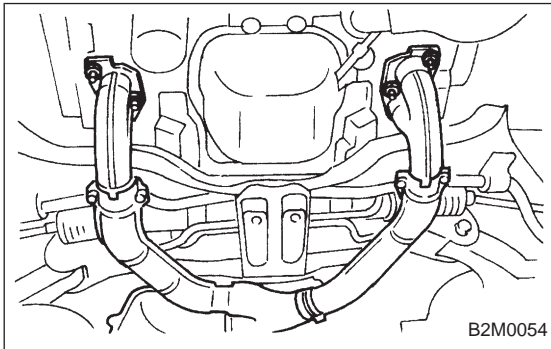


2) Lift-up the vehicle.

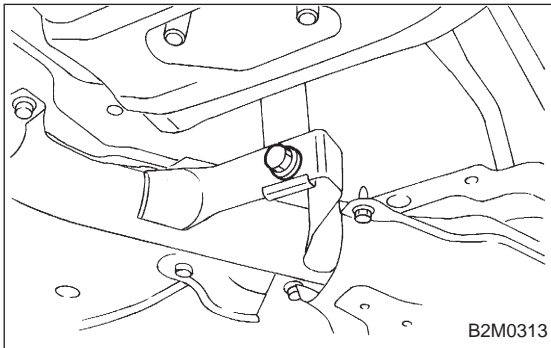
3) Disconnect rear oxygen sensor connector. (2200 cc)



4) Separate center exhaust pipe from rear exhaust pipe.



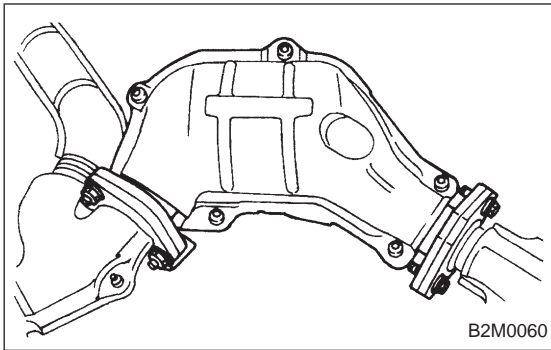
5) Remove bolts which hold front exhaust pipe onto cylinder heads.



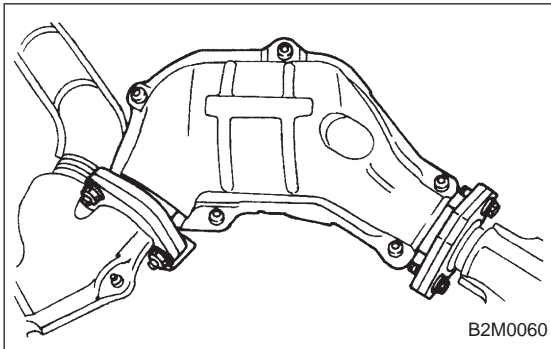
6) Remove front exhaust pipe and center exhaust pipe from hanger bracket.

CAUTION:

Be careful not to pull down front exhaust pipe and center exhaust pipe.



7) Separate front exhaust pipe from front catalytic converter.



B: INSTALLATION

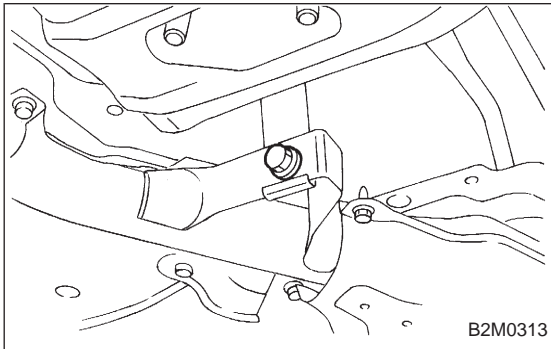
CAUTION:

Replace gaskets with new ones.

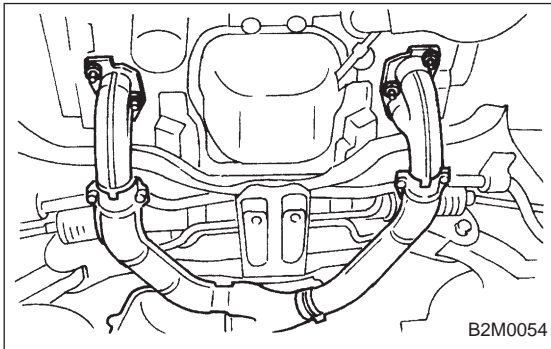
1) Install front catalytic converter to front exhaust pipe.

Tightening torque:

30 ± 5 N·m (3.1 ± 0.5 kg·m, 22.4 ± 3.6 ft·lb)



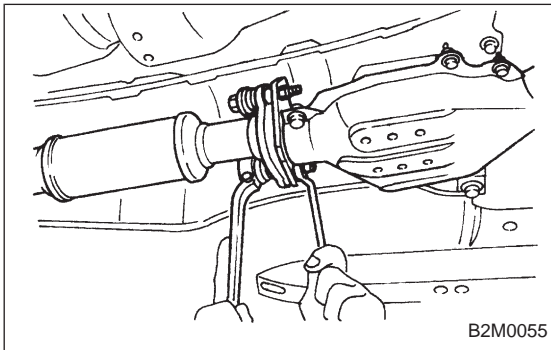
2) Install front exhaust pipe and center exhaust pipe. And temporarily tighten bolt which installs center exhaust pipe to hanger bracket.



3) Tighten bolts which hold front exhaust pipe onto cylinder heads.

Tightening torque:

30 ± 5 N·m (3.1 ± 0.5 kg·m, 22.4 ± 3.6 ft·lb)

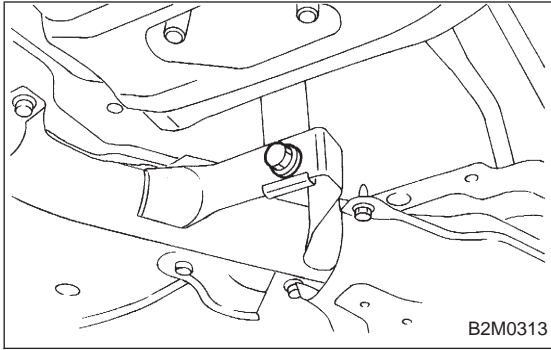


4) Install center exhaust pipe to rear exhaust pipe.

Tightening torque:

18 ± 5 N·m (1.8 ± 0.5 kg·m, 13.0 ± 3.6 ft·lb)

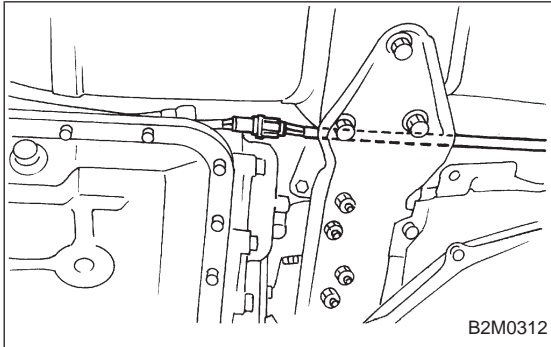
2. Rear Exhaust Pipe



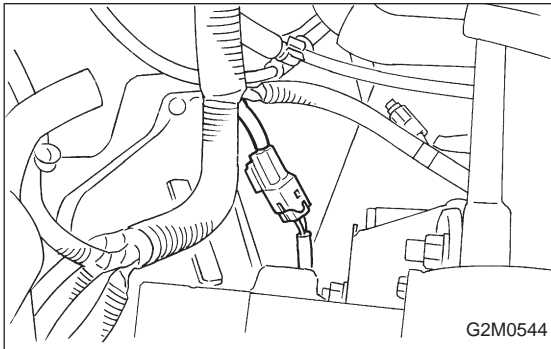
5) Tighten bolt which holds center exhaust pipe to hanger bracket.

Tightening torque:

$35\pm 5 \text{ N}\cdot\text{m}$ ($3.6\pm 0.5 \text{ kg}\cdot\text{m}$, $26.0\pm 3.6 \text{ ft}\cdot\text{lb}$)

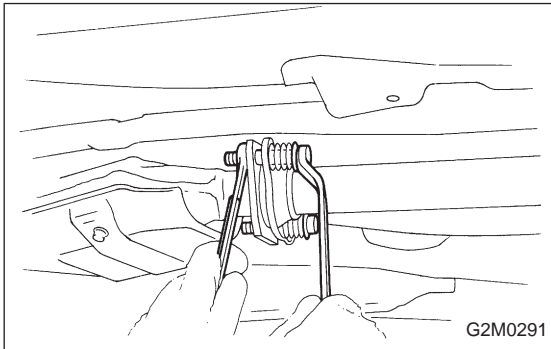


6) Connect rear oxygen sensor connector. (2200 cc)

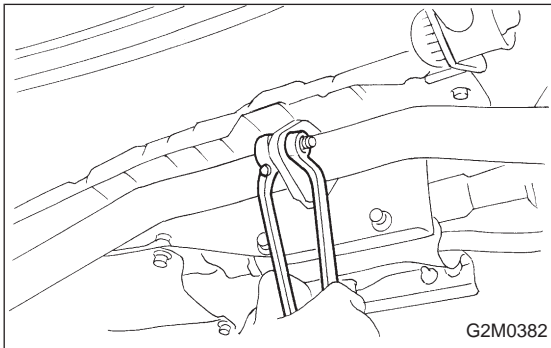


7) Lower the vehicle.

8) Connect front oxygen sensor connector.

**2. Rear Exhaust Pipe****A: REMOVAL**

1) Separate rear exhaust pipe from front catalytic converter.



2) Separate rear exhaust pipe from muffler.

CAUTION:

Be careful not to pull down front exhaust pipe and front catalytic converter.