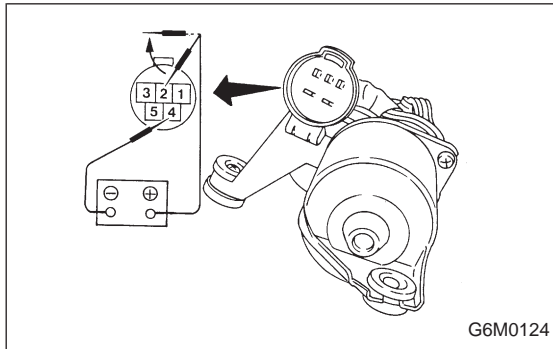
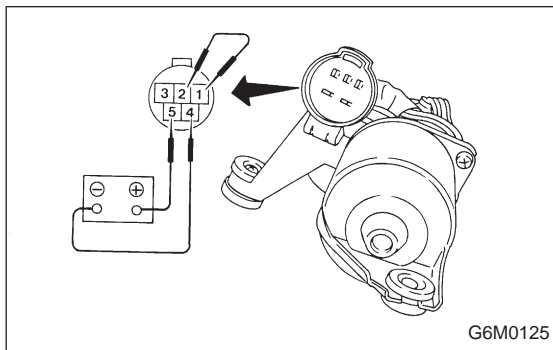


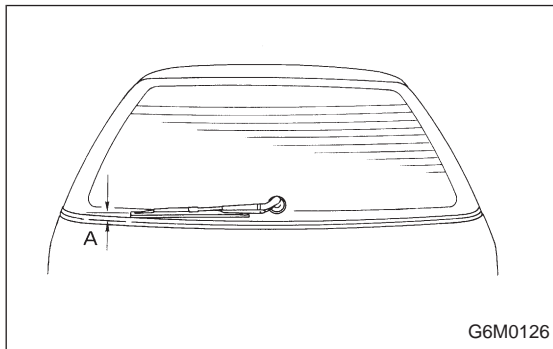
2) Check wiper motor operation at high speed.
Connect battery wiper motor. Check wiper motor for proper operation at high speed.



3) Check wiper motor for proper stoppage.
Connect battery to wiper motor. After operating wiper motor at low speed, disconnect battery to stop it.



Reconnect battery and ensure that wiper motor stops at "AUTO STOP" after operating at low speed.



6. Rear Wiper and Washer

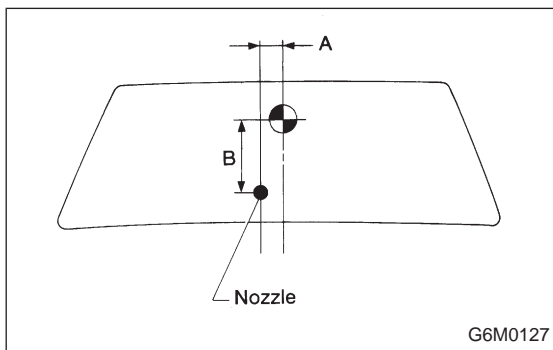
A: ON-CAR SERVICES

1. ADJUSTMENT

1) Adjust wiper blade in original position as shown in figure by changing wiper arm installation.

Original position:

A: 25 — 35 mm (0.98 — 1.38 in)

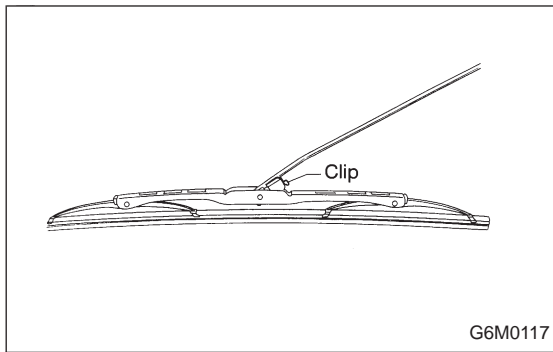


2) Adjust washer ejecting point on rear gate window as shown in figure when the car stops.

Ejecting point:

A: 25 mm (0.98 in)

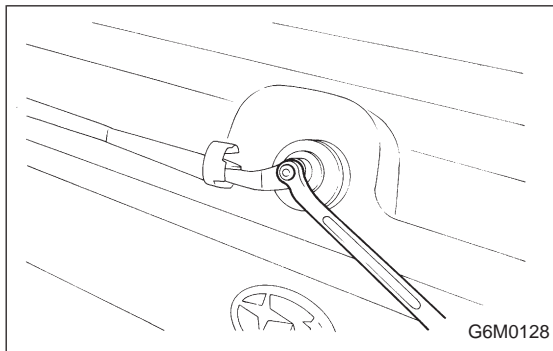
B: 200 — 300 mm (7.87 — 11.81 in)



B: REMOVAL AND INSTALLATION

1. BLADE

Pull out blade from arm while pushing up clip.

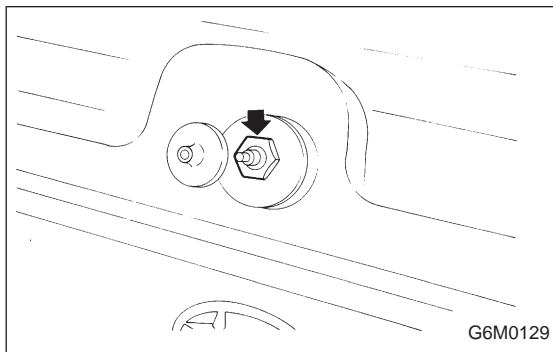


2. WIPER ARM

- 1) Remove head cover.
- 2) Remove nut and wiper arm.

Tightening torque:

4.4 — 7.4 N·m (0.45 — 0.75 kg-m, 3.3 — 5.4 ft-lb)



3. WIPER MOTOR

- 1) Remove cap and special nut.

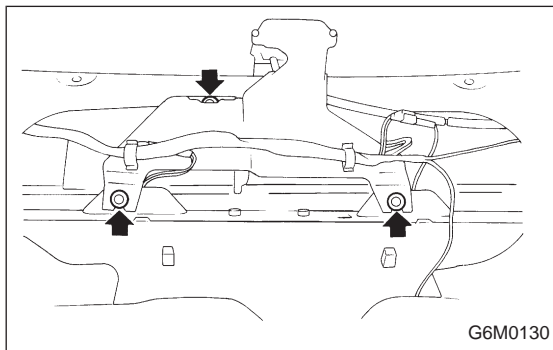
CAUTION:

Be careful not to strike service tool against nozzle during removal.

Tightening torque:

6 — 9 N·m (0.6 — 0.9 kg-m, 4.3 — 6.5 ft-lb)

- 2) Remove rear gate trim. <Ref. to 5-2.>
- 3) Undo clips which secure harness, and disconnect connector.



- 4) Separate washer hoses at joint.
- 5) Remove attaching screws and take out wiper motor assembly.

CAUTION:

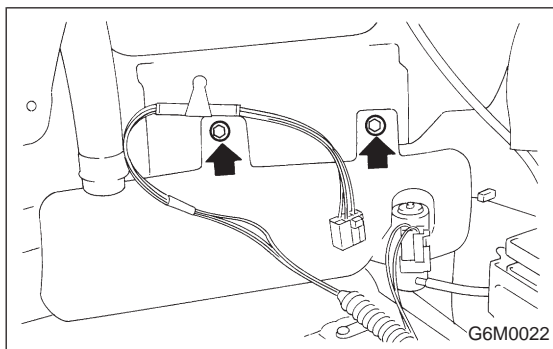
Be careful not to damage O-ring when removing wiper motor assembly.

Tightening torque:

4.4 — 7.4 N·m (0.45 — 0.75 kg-m, 3.3 — 5.4 ft-lb)

4. WASHER TANK

1) Remove rear quarter trim. <Ref. to 5-2.>



2) Disconnect washer hose and connector.
3) Remove attaching bolts.

Tightening torque:

4.4 — 7.4 N·m (0.45 — 0.75 kg-m, 3.3 — 5.4 ft-lb)

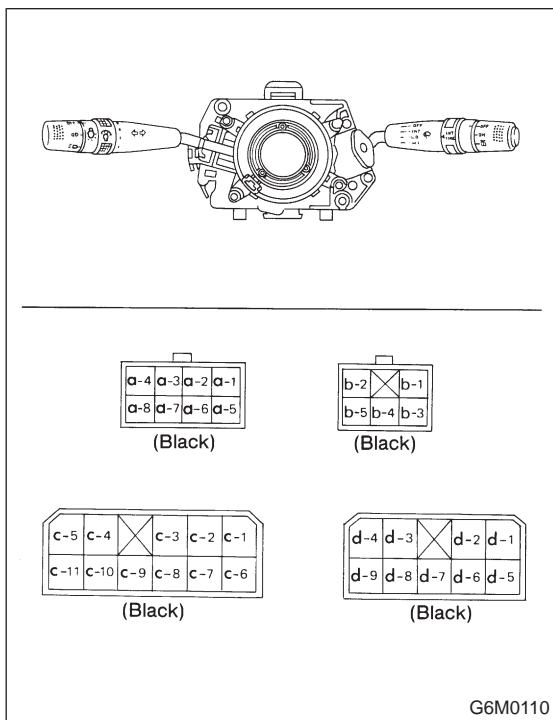
C: INSPECTION

1. REAR WIPER AND WASHER SWITCH

Set rear wiper and washer switch to each position and check continuity between terminals (indicated in table below).

WITHOUT INTERMITTENT REAR WIPER

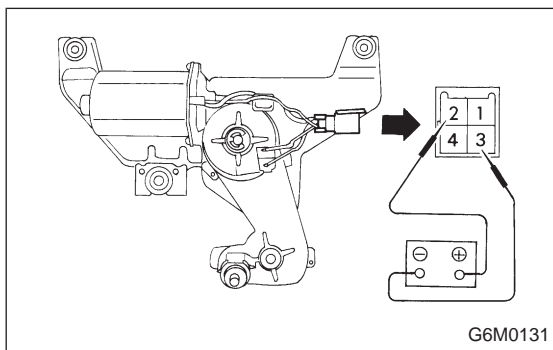
Terminal	d-2	d-1		d-3
Switch position				
WASH	○	○	○	○
OFF				
ON	○			○
WASH	○	○	○	○

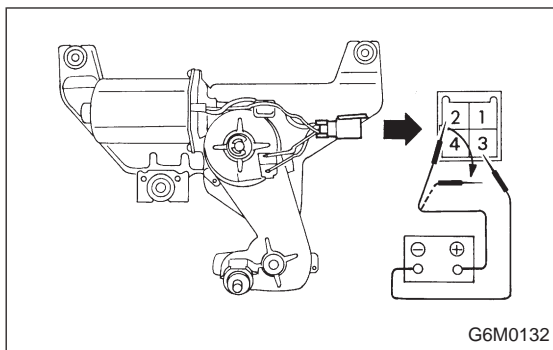


2. WIPER MOTOR

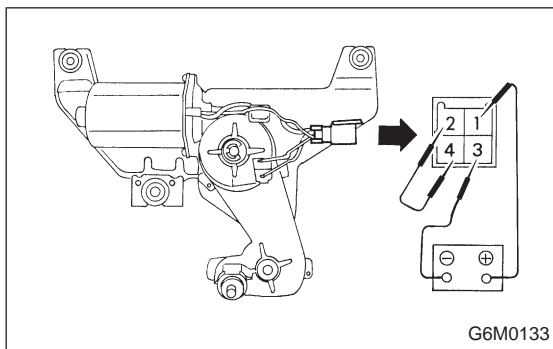
1) Operational check

Connect battery to wiper motor and check operation of wiper motor.

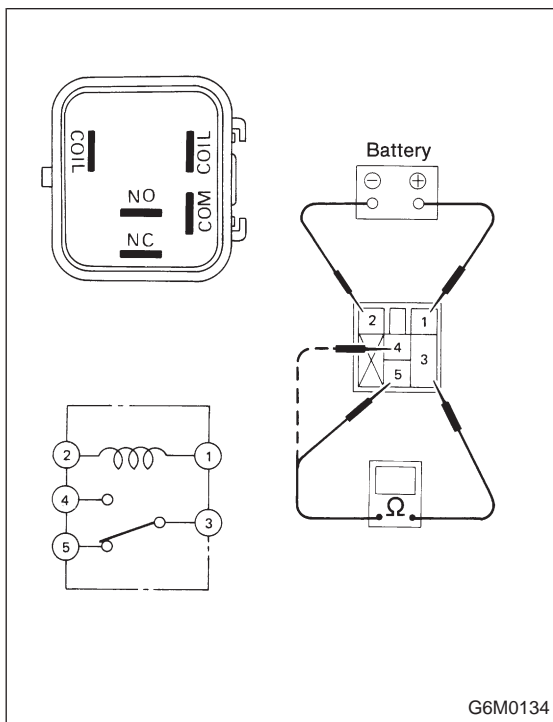




2) Check wiper motor for proper stoppage.
After operating wiper motor, disconnect battery from wiper motor.



3) Reconnect battery and ensure that wiper motor stops at "AUTO STOP" after it has been operated.



3. REAR WIPER RELAY

Connect battery to terminal (1) and ground terminal (2). Check continuity between terminals (indicated in table below).

When current flows.	Between terminals (3) and (5)	Continuity does not exist.
	Between terminals (3) and (4)	Continuity exists.
When current does not flow.	Between terminals (3) and (5)	Continuity exists.
	Between terminals (3) and (4)	Continuity does not exist.
	Between terminals (1) and (2)	Continuity exists.