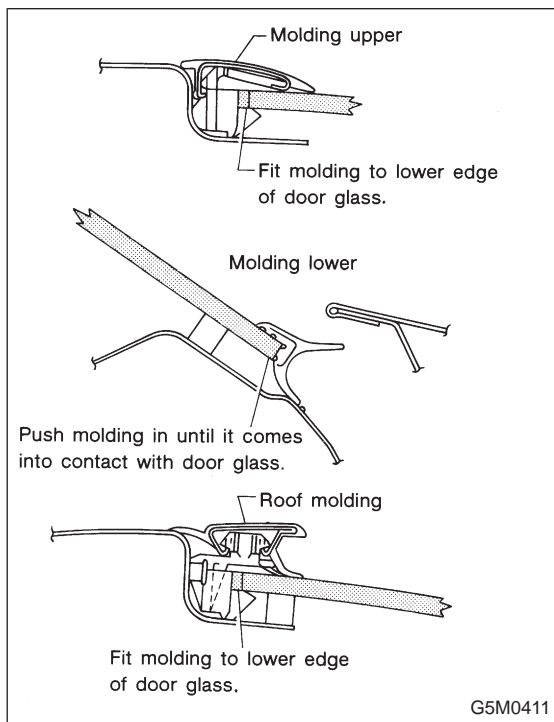
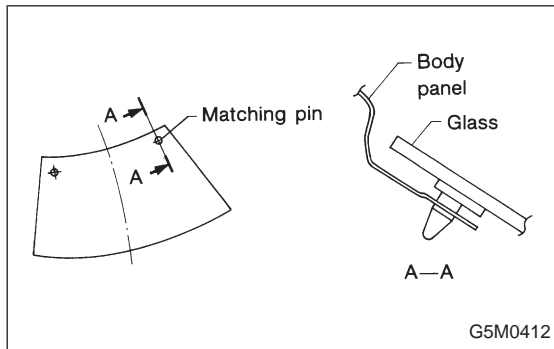
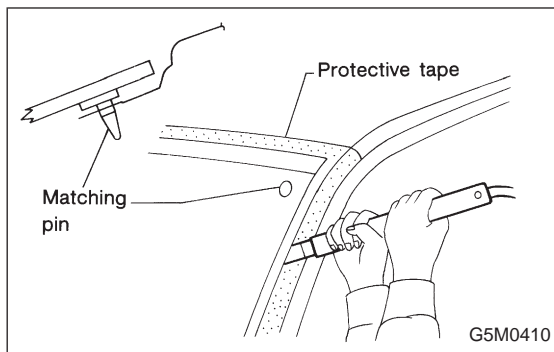


## 14. Rear Window Glass (Sedan)



## 14. Rear Window Glass (Sedan and Coupe)

### A: REMOVAL

- 1) Remove roof molding.
- 2) Remove rear window molding upper and lower.
- 3) Disconnect connector from rear defogger terminal.
- 4) Remove glass in same manner as in windshield.

### NOTE:

A matching pin is cemented to the corners of glass on compartment side. Use a piano wire when cutting each pin.

### B: INSTALLATION

- 1) Install glass in same manner as in windshield.
- 2) Firstly, press-fit molding upper, then lower and lastly, roof molding.
- 3) After installation, test for water leakage after about one hour, and leave vehicle alone for 24 hours.
- 4) Make rear defogger connections.