

## 10. Gusset Assembly

### A: REMOVAL AND INSTALLATION

#### NOTE:

Be sure window is all the way down.

- 1) Remove gusset cover.
- 2) Remove trim panel.
- 3) Remove door rearview mirror.
- 4) Remove outer weatherstrip.
- 5) Remove sealing cover.

#### NOTE:

Be careful not to drop nuts on the "IN" side (See figure).

- 6) Remove bolts and nuts which secure gusset.

#### **Tightening torque: Bolt**

**10 — 16 N·m (1.0 — 1.6 kg-m, 7 — 12 ft-lb)**

#### **Tightening torque: Nut**

**5.4 — 9.3 N·m (0.55 — 0.95 kg-m, 4.0 — 6.9 ft-lb)**

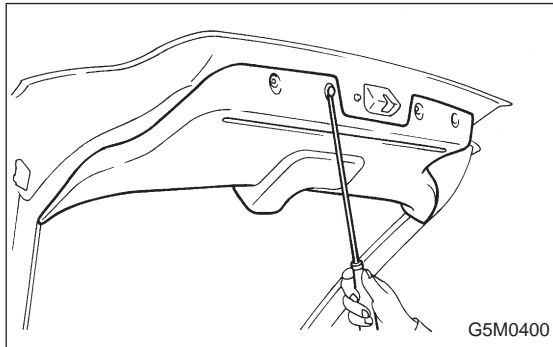
- 7) Lift out gusset.

To install, reverse the above removal procedures.

## 11. Rear Gate

### CAUTION:

- Be careful not to scratch coated surfaces of car body and window glass during removal. Place a cloth over the affected area.
- Be careful not to damage trim panels.
- Use an assistant when handling heavy parts.
- Be careful not to damage or lose small parts.



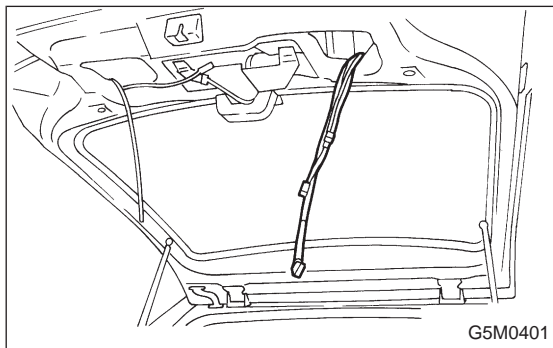
### A: REMOVAL

- 1) Remove clips from trim panel and detach trim panel.

### CAUTION:

**Be careful not to damage clips or their holes.**

- 2) Disconnect connectors and terminal.
- 3) Disconnect rear washer hose from wiper motor.
- 4) Remove high-mount stop light.



- 5) If disconnected harness is re-used, tie connector with a string and place on the upper side of rear gate for ready use.

### CAUTION:

**Do not forcefully pull cords, lead wires, etc. since damage may result; carefully extract them in a wavy motion while holding connectors.**

- 6) Remove rear wiper. <Ref. to 6-2 [W6B0].>
- 7) Remove both rubber ducts and then extract washer hose and harness connector.