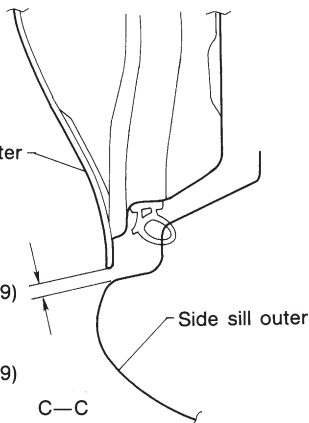
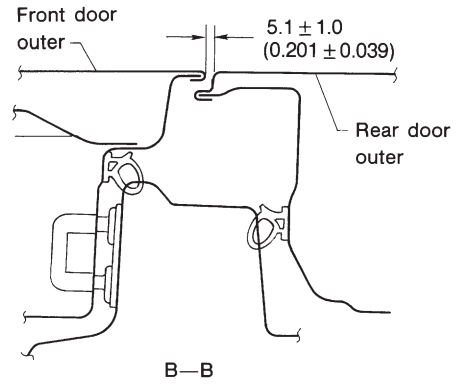
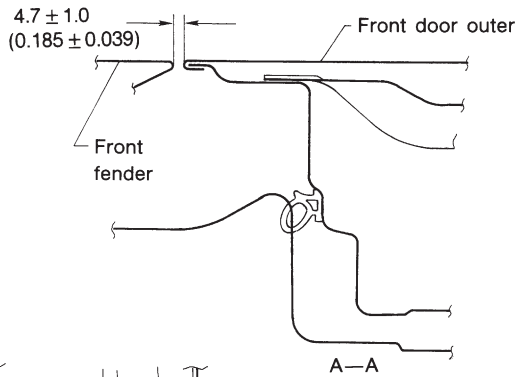
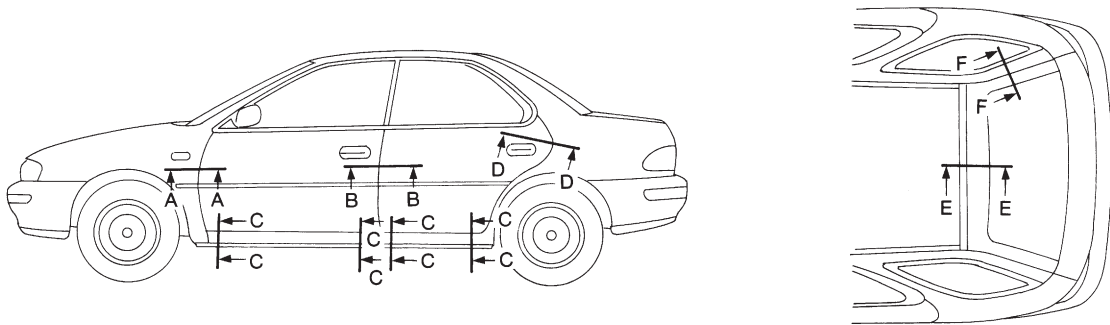
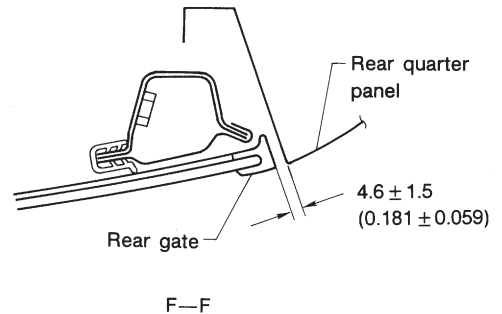
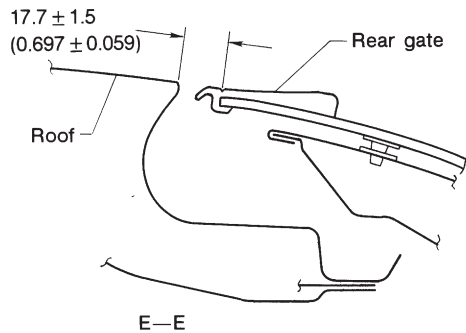
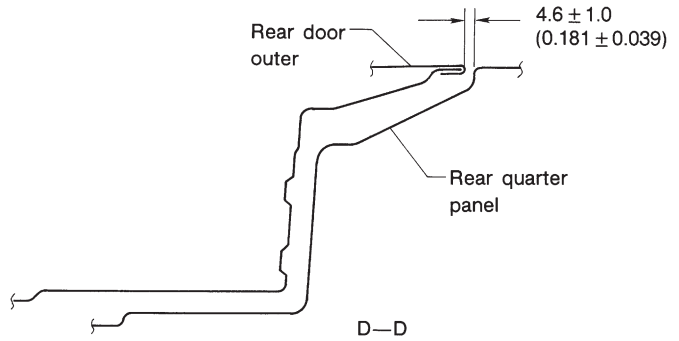


1. Door Alignment

1. SEDAN AND WAGON MODEL



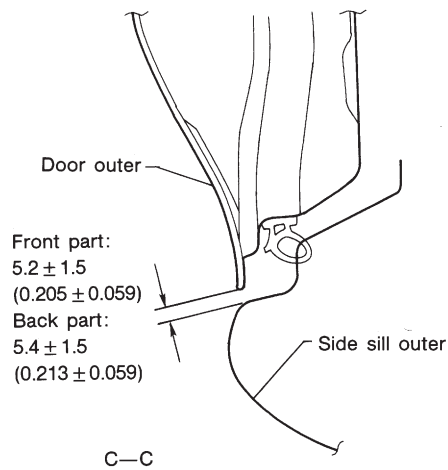
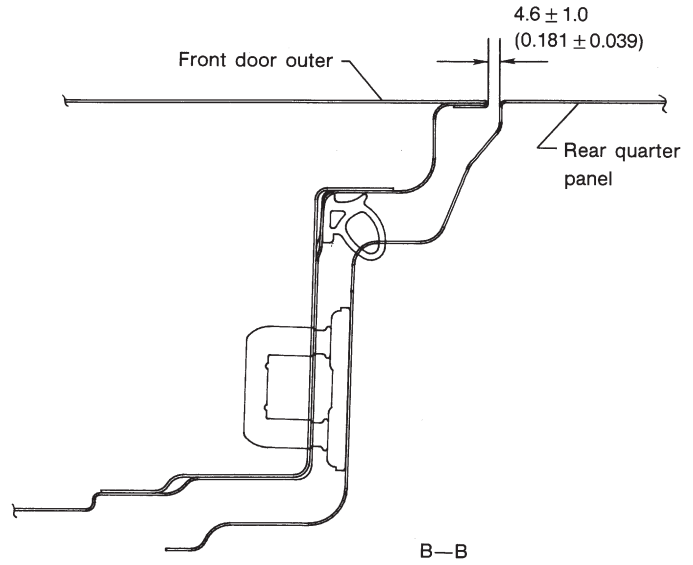
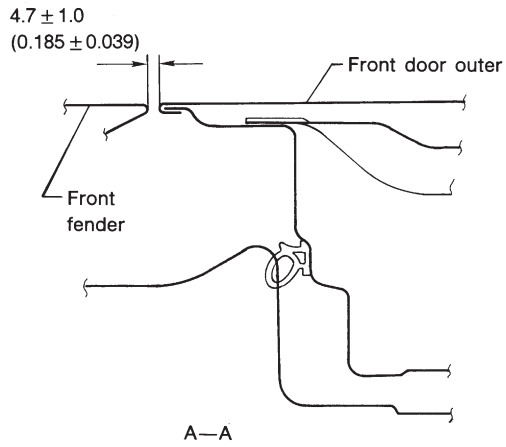
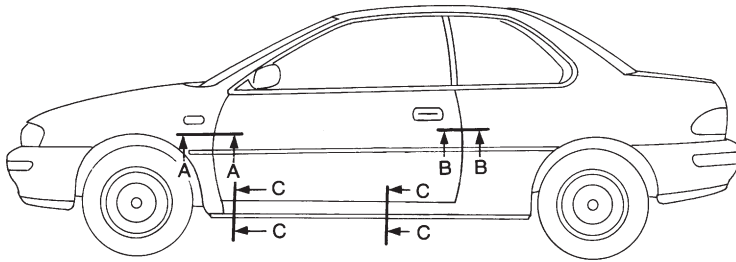
- Front door
 Front part:
 5.2 ± 1.5
 (0.205 ± 0.059)
 Back part:
 5.4 ± 1.5
 (0.213 ± 0.059)
- Rear door
 Front part:
 5.4 ± 1.5
 (0.213 ± 0.059)
 Back part:
 6.1 ± 1.5
 (0.240 ± 0.059)



Unit: mm (in)

G5M0485

2. COUPE MODEL



Unit: mm (in)

G5M0637