

13. Proportioning Valve

A: INSPECTION

- 1) Install the oil pressure gauges to measure the master cylinder fluid pressure (front wheel brake fluid pressure) and rear wheel cylinder fluid pressure.
- 2) Bleed air from the oil pressure gauges.
- 3) Check the master cylinder fluid pressure and rear wheel cylinder fluid pressure.

The standard values are shown in Figure.

- 4) For the oil pressure in case of split point, refer to A: SPECIFICATIONS <Refer to 4-4 [S1A0].>

B: REMOVAL

- 1) Remove brake pipe from proportioning valve at four places.
- 2) Remove proportioning valve from its bracket.

CAUTION:

Do not disassemble or adjust the proportioning valve. (The proportioning valve must be replaced as an assembly.)

C: INSTALLATION

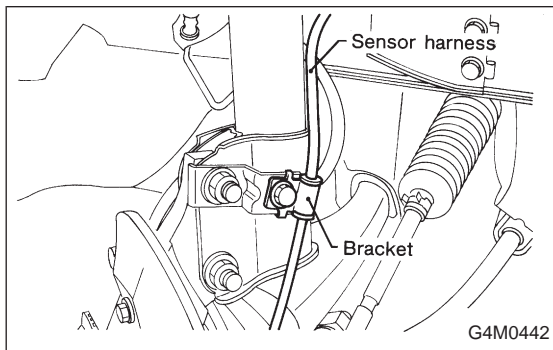
- 1) Install proportioning valve to bracket.
- 2) Connect brake pipes correctly to proportioning valve.
- 3) Bleed air, then check each joint of brake pipe for oil leaks.

Tightening torque:

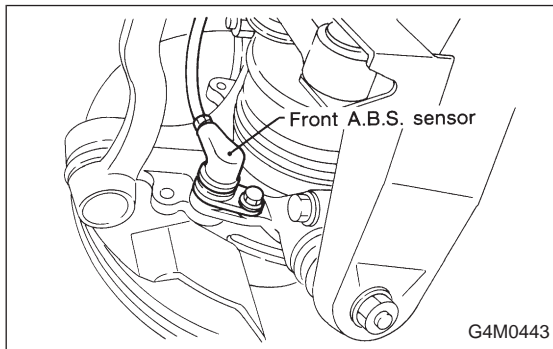
Proportioning valve to brake pipe flare nut
 $14.7_{-2}^{+3} \text{ N}\cdot\text{m}$ ($1.5_{-0.2}^{+0.3} \text{ kg}\cdot\text{m}$, $10.8_{-1.4}^{+2.2} \text{ ft}\cdot\text{lb}$)

Proportioning valve to bracket**Normal brake vehicle:** **22 ± 4.4 N·m (2.25 ± 0.45 kg-m, 16.3 ± 3.3 ft-lb)****A.B.S. equipped vehicle:** **18 ± 5 N·m (1.8 ± 0.5 kg-m, 13.0 ± 3.6 ft-lb)****14. A.B.S. Sensor****A: REMOVAL****1. FRONT A.B.S. SENSOR**

1) Disconnect front A.B.S. sensor located in engine compartment.



2) Remove bolts which secure sensor harness to bracket.



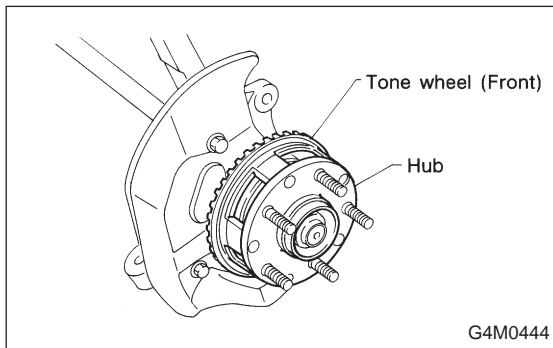
3) Remove bolts which secure front A.B.S. sensor to housing, and remove front A.B.S. sensor.

CAUTION:

Be careful not to damage pole piece located at tip of the sensor during removal.

4) Remove front disc brake caliper and disc rotor from housing after removing front tire.

5) Remove front drive shaft and housing and hub assembly. <Ref. to 4-2 [W1A0].>



6) Remove tone wheel while removing hub from housing and hub assembly. <Ref. to 4-2 [W1B0].>

CAUTION:

Be careful not to damage teeth faces of tone wheel during removal.