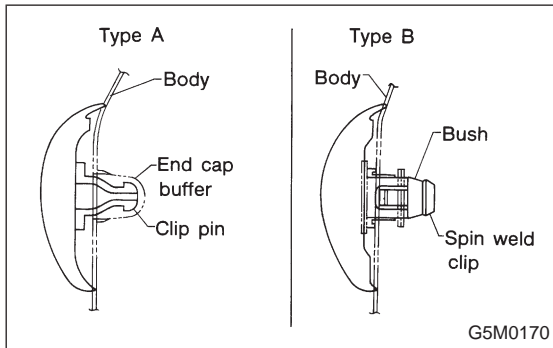


9. Body Protector

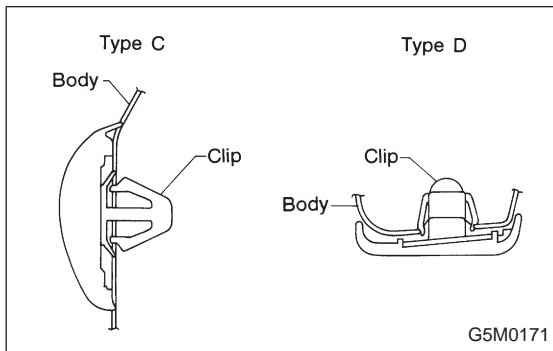
A: REMOVAL

NOTE:

Do not re-use protector.



Type A and B: Protector is attached to body with clips. While holding end of protector by hand, force protector out.



Type C: Protector is attached to body with clips. Remove door inner trim, and detach protector by pushing clip pawl from inside.

Type D: Protector is attached to body with clips. While holding end of protector by hand, force protector out.

B: INSTALLATION

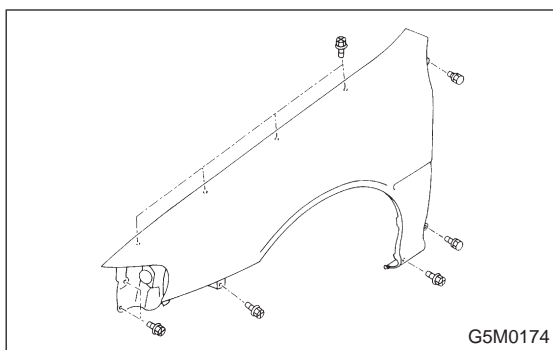
Type A: Insert clip pins into holes in body, then fit end cap buffers into place.

Type B: Insert spin weld clips into holes in body, then fit bushings into place.

Type C and D: Align the clips with holes in body and insert them.

NOTE:

Install clips in standard holes first.



10. Front Fender AIRBAG

A: REMOVAL

SUPPLEMENTAL RESTRAINT SYSTEM "AIRBAG"

Airbag system wiring harness is routed near the front fender.

CAUTION:

- All Airbag system wiring harness and connectors are colored yellow. Do not use electrical test equipment on these circuit.