

33 Support, Sub-Frame	03 R 20157AE04A	m	#	21.95
	L 20157AE080	m	#	14.10
	04-05 R 20157AE09A	m	#	48.95
	L 20157AE100	m	#	11.78
34 Plate, Sub-Frame	03 20510AE040	m	#	14.10
	04-05 20510AE110	m	#	10.10
35 Sub-Frame	03 20152AE00B	m	#4.0	450.07
	04-05 20152AE03A	m	#4.0	356.93
36 Bushing, Differential	R/L 41322AE01D	m	#	11.62

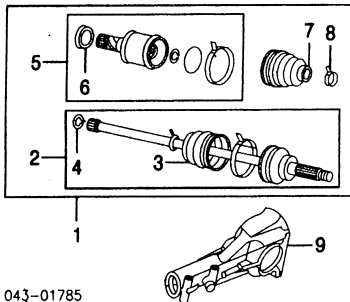
#Not Included in O/H

REAR DRIVE AXLE

R&I Axle Shaft Assy (One Side).....R/Lm #3
 O/H Axle Shaft Assy (Includes R&I).....R/Lm #1.1
 #w/Necessary Suspension Components Removed

NOTE 1: R&I/R&R or O/H Does Not include adjust wheel alignment.

NOTE 2: All Parts in this section are included in overhaul unless noted otherwise.



043-01785

1 Shaft Assy, Axle	R 28421AE01B	m	#3	369.96
Man Trans	L 28421AE02B	m	#3	369.96
Auto Trans	R/L 28421AE10A	m	#3	369.96
w/Turbo	R/L 28421AE09A	m	#3	369.96
2 Shaft Assy, Outer	R 28491AE01A	m	#5	199.98
Man Trans	L 28491AE02A	m	#5	199.98
Auto Trans	R 28491AE14B	m	#5	133.70
w/Turbo	L 28491AE15B	m	#5	133.70
w/o Turbo	R/L 28491AE13B	m	#5	133.70
#w/Necessary Suspension Components Removed				
3 Boot, Outer (a)	R/L 28423AE00A	m		9.65
Base, Sport Model	R/L 28423AE02A	m		16.47
Turbo Model	R/L 72324E020	m		8.57
4 Ring, Snap (a)		m		8.57
(a) Included w/Outer Shaft Assy				
5 Joint Assy, Inner	R/L 28092AC010	m	#5	182.15
Man Trans				
Auto Trans	R/L 28492AE05A	m	#5	167.77
w/Turbo	R/L 28092AC020	m	#5	171.70
w/o Turbo				
#w/Necessary Suspension Components Removed				
6 Plate, Baffle (b)	R/L 23233GA091	m		8.07
Man Trans	R/L 28037FA000	m		8.07
Auto Trans				
(b) Included w/Inner Joint Assy				
7 Boot, Inner	R/L 28423AE03A	m	#3	16.47
w/Turbo	R/L 28023AC090	m	#3	15.02
w/o Turbo				
#w/Axle Removed				
8 Clamp, Boot	R/L 23242GA410			1.95
#Included w/Axle Shaft Assy				
9 Differential Assy	27011AA890	m	#1.6	1421.56
w/Turbo	27011AA850	m	#1.6	1464.21
w/o Turbo				
#Not Included in O/H				
Differential (c) (d)	38312AA000			413.55
w/Turbo	38312AA010			d365.13
w/o Turbo				
(d) Order by Application				
Cover, Differential (c)	38316AA010			86.02
Gasket, Cover (c)	38353AA031			11.43
(c) Included w/Differential Assy				

FUEL TANK

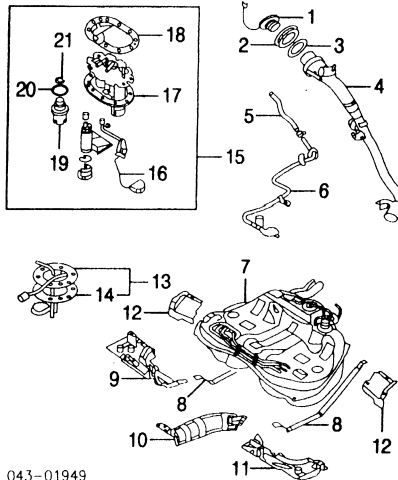
R&I Fuel Tank.....m #5.1
 #Includes R&I/R&R Rear Sub-Frame Assy

NOTE: R&I/R&R Does Not include drain and refill.

Illustration Located in Next Column

1 Cap, Filler	03 42031SA01A			13.95
	04-05 42031AE02A			13.95
2 Ring, Filler	42056AA011			2.33
3 Packing, Filler	42060GA081			7.78
4 Pipe, Filler	03 42066AE180			102.98
	04-05 42066AE150			99.98

#Order by Application



043-01949

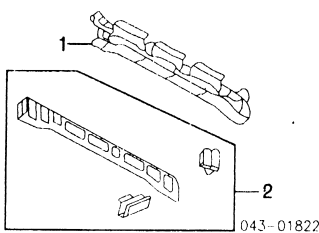
5 Hose, Evaporator	42075AE20A			9.38
w/Turbo	42075AE78A			17.63
w/o Turbo	42068AE32A			42.95
6 Pipe, Return	03 42012AE03A	m	#5.4	360.59
7 Tank, Fuel	04-05 42012AE04A	m	#5.4	400.77
#Includes R&I/R&R Rear Sub-Frame Assy				
8 Strap, Tank	R 42017AE00A			33.68
	L 42017AE01A			32.32
9 Protector, Right Front Tank	42045AE210			69.00
w/Turbo	42045AE02A			53.48
w/o Turbo	42054AE050			49.00
10 Protector, Center Front Tank	42054AE00A			41.92
w/Turbo	42045AE220			69.00
11 Protector, Left Front Tank	42045AE03A			54.18
w/Turbo	42045AE08A			44.10
w/o Turbo	L 42045AE09A			43.38
12 Protector, Rear Tank	R 42045AE03A			44.10
	L 42045AE09A			43.38
13 Sender Assy, Fuel	03 42081AE01A	m	#7	65.78
	04-05 42081AE05A	m	#7	60.03
14 Gasket, Sender (a)	03 85125AA000	m	#7	14.15
	04-05 42025AE12A	m	#7	d0.00
(a) Included w/Fuel Sender Assy				
15 Pump Assy, Fuel	42021AE02A	m	#7	329.95
2003				
2004-05	42021AE08A	m	#7	279.95
w/Turbo	42021AE06A	m	#7	279.95
w/o Turbo	42081AE00A	m	#7	101.63
#R&R Complete, Included in R&R Fuel Tank				
17 Gasket, Pump (b)	03 42025AE00A			d0.00
	04-05 42025AE11A			34.15
18 Retainer, Plate (b)	42057AE01A			43.43
19 Filter, Fuel (b)	42072AE00A			39.95
20 Seal, Upper (b)	42025AE03A			31.38
21 Seal, Lower (b)	42025AE02A			30.12
(b) Included w/Fuel Pump Assy				

REAR BODY

Use Procedure Explanations 26 and 28 with the following text.

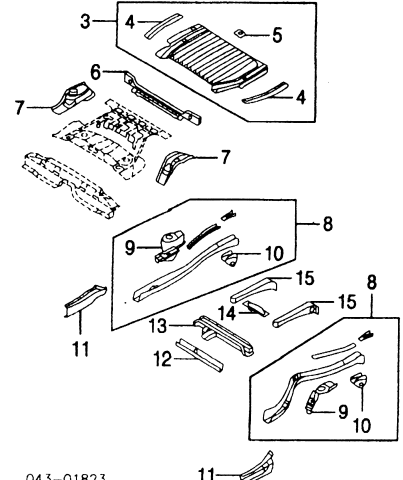
SHEET METAL

Refinish Rear Body Panel.....	1.2
-------------------------------	-----



043-01822

Panel, Rear Body	52411AE07A	#6.0	108.80
1 Outer			
#w/Rear Gate Panel Removed, Does Not Include R&I/R&R Combination Lamp Assemblies, Deduct 1.8 for Each Quarter Panel Removed, Deduction Includes Common Surfaces & Included Operations			
2 Inner	52411AE06A	3.5	169.95



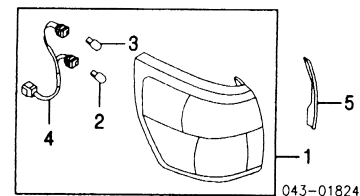
043-01823

3 Panel Assy, Rear Floor	52118AE01A	#12.0	257.28
#w/Rear Body Panel Removed			
4 Extension, Rear Floor	R 52150AE45A	1.5	92.22
	L 52150AE46A	1.5	83.82
5 Reinf, Spare Tire	52145AE02A		27.77
#Included w/Rear Floor Panel Assy			
6 Panel, Lower	52170AE04A		107.43
7 Extension, Rear Floor Front	R 52123AE21A	1.5	73.40
	L 52123AE22A	1.5	62.50
8 Rail Assy, Side	03 R 52150AE53A	s #8.0	195.65
	L 52150AE37B	s #8.0	292.98
	04-05 R 52150AE53B	s #8.0	316.33
	L 52150AE37B	s #8.0	292.98
#w/Rear Floor Pan Removed Deduct 2.0			
9 Bracket, Rail (a)	R 52153AE04A		108.75
	L 52153AE05A		93.63
10 Hook, Tie-Down (a)	R 57801AE01A	1.0	21.53
	L 57801AE03A	1.0	18.87
(a) Included w/Side Rail Assy			
11 Extension, Front Rail	R 52154AE12B	s 2.0	69.97
	L 52154AE13B	s 2.0	72.07
12 Crossmember, No. 1	52140AE61A		33.87
13 Crossmember, No. 2	03 52140AE58A		88.57
	04-05 52140AE58B		87.80
	52140AE60A		42.87
14 Support, Spare Tire	03 R 52150AE38B		72.08
	L 52150AE39A		75.72
15 Frame, Rear	04-05 R 52150AE38A		72.93
	L 52150AE39A		75.72

REAR LAMPS

COMBINATION LAMP ON REAR BODY

Refinish Combination Lamp.....	R/L	5
R&I Combination Lamp Assy.....	R/L	2



043-01824

1 Lamp Assy, Combination	R 84201AE30ABE	2	169.95
Atlantic Blue (Code BE)	L 84201AE31ABE	2	169.95
Black Mica (Code VC)	R 84201AE30AVC	2	158.95
	L 84201AE31AVC	2	153.40
Black Pearl (Code VW)	R 84201AE30AVW	2	169.95
	L 84201AE31AVW	2	169.95
Blue Gray (Code LB)	R 84201AE30ALB	2	203.23
	L 84201AE31ALB	2	169.95
Brilliant Silver (Code TE)	R 84201AE30ATE	2	169.95
	L 84201AE31ATE	2	169.95
Dark Blue (Code PL)	R 84201AE30APL	2	158.95
	L 84201AE31APL	2	153.40
Garnet Red (Code RO)	R 84201AE30ARO	2	169.95
	L 84201AE31ARO	2	169.95
Regal Blue (Code BH)	R 84201AE30ABH	2	169.95
	L 84201AE31ABH	2	169.95
Silver (Code TC)	R 84201AE30ATC	2	158.95
	L 84201AE31ATC	2	153.40
White (Code WT)	R 84201AE30AWT	2	153.40
	L 84201AE31AWT	2	153.40
White Pearl (Code WH)	R 84201AE30AWH	2	169.95
	L 84201AE31AWH	2	169.95
Yellow (Code HA)	R 84201AE30AHA	2	158.95
	L 84201AE31AHA	2	153.40
Yellowish Red (Code HE)	R 84201AE30AHE	2	158.95
	L 84201AE31AHE	2	153.40

REAR LAMPS Cont'd

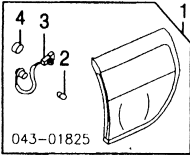
COMBINATION LAMP

ON REAR BODY Cont'd

2 Bulb, Signal Lamp	R/L 84920FE010	#.2	14.98
3 Bulb, Stop Lamp	R/L 84920FE000	#.2	5.95
#R&R One Side Complete			
4 Socket, Bulb	R/L 84931AE250		34.63
*Included w/Combination Lamp Assy			
5 Cover, Lamp	R 84953AE14A		14.75
	L 84953AE15A		14.75

COMBINATION LAMP ON REAR GATE

Refinish Combination Lamp	R/L	.5
R&I Combination Lamp Assy	R/L	#.3
#w/Rear Gate Panel Removed		



1 Lamp Assy, Combination

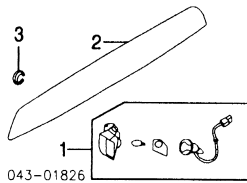
Atlantic Blue (Code BE)	R 84251AE12ABE	#.3	111.77
	L 84251AE13ABE	#.3	111.77
Black Mica (Code VC)	R 84251AE12AVC	#.3	111.77
	L 84251AE13AVC	#.3	106.90
Black Pearl (Code VW)	R 84251AE12AVW	#.3	106.90
	L 84251AE13AVW	#.3	106.90
Blue Gray (Code LB)	R 84251AE12ALB	#.3	106.90
	L 84251AE13ALB	#.3	106.90
Brilliant Silver (Code TE)	R 84251AE12ATE	#.3	106.90
	L 84251AE13ATE	#.3	106.90
Dark Blue (Code PL)	R 84251AE12APL	#.3	111.77
	L 84251AE13APL	#.3	106.90
Garnet Red (Code RO)	R 84251AE12ARO	#.3	111.77
	L 84251AE13ARO	#.3	111.77
Regal Blue (Code BH)	R 84251AE12ABH	#.3	106.90
	L 84251AE13ABH	#.3	106.90
Silver (Code TC)	R 84251AE12ATC	#.3	111.77
	L 84251AE13ATC	#.3	106.90
White (Code WH)	R 84251AE12AWH	#.3	111.77
	L 84251AE13AWH	#.3	111.77
White Pearl (Code WT)	R 84251AE12AWT	#.3	106.90
	L 84251AE13AWT	#.3	103.78
Yellow (Code HA)	R 84251AE12AHA	#.3	111.77
	L 84251AE13AHA	#.3	106.90
Yellowish Red (Code HE)	R 84251AE12AHE	#.3	111.77
	L 84251AE13AHE	#.3	106.90

#w/Rear Gate Panel Removed

2 Bulb	R/L 784920080		1.50
3 Socket, Bulb	R/L 84931AE260		18.23
4 Cover, Bulb	R/L 84956AE050		2.68
*Included w/Combination Lamp Assy			

LICENSE LAMP

Refinish License Lamp Cover		.4
-----------------------------	--	----



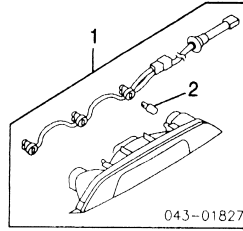
1 Lamp Assy, License-See Rear Gate Section

2 Cover, License Lamp			
Atlantic Blue (Code BE)	84301AE03ABE	.2	88.62
Black Mica (Code VC)	84301AE03AVC	.2	99.97
Black Pearl (Code VW)	84301AE03AVW	.2	87.80
Blue Gray (Code LB)	84301AE03ALB	.2	108.80
Brilliant Silver (Code TE)	84301AE03ATE	.2	88.62
Dark Blue (Code PL)	84301AE03APL	.2	66.90
Garnet Red (Code RO)	84301AE03ARO	.2	90.95
Regal Blue (Code BH)	84301AE03ABH	.2	88.62
Silver (Code TC)	84301AE03ATC	.2	99.97
White (Code WH)	84301AE03AWH	.2	89.08
White Pearl (Code WT)	84301AE03AWT	.2	102.55
Yellow (Code HA)	84301AE03AHA	.2	99.62
Yellowish Red (Code HE)	84301AE03AHE	.2	99.97
3 Grommet, Mounting	R/L 84710TC010		1.04

HIGH MOUNT STOP LAMP

Illustration Located in Next Column

1 Lamp Assy, Stop	84701AE08A	.2	106.90
2 Bulb, Lamp (3)	84920AA020		1.95



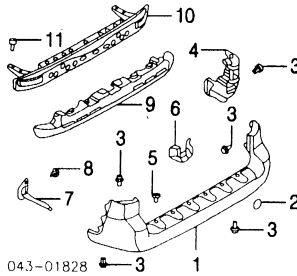
*Included w/Stop Lamp Assy

REAR BUMPER

Use Procedure Explanations 27 and 28 with the following text.

Refinish Rear Cover	2.1
Refinish Cover Protector	.2
Refinish Reinforcement Bar	.8
R&I Bumper Assy	#1.1
O/H Bumper Assy (includes R&I)	#1.6
#Includes R&I/R&R Combination Lamps on Body	

NOTE: All Parts in this section are included in overhaul unless noted otherwise.



1 Cover, Bumper (P)	57704AE21A	#1.3	239.97
#Includes R&I/R&R Combination Lamps on Body			
2 Protector, Cover (P)	91163AE400		6.07
(P) Paint to Match			
3 Clip, Mounting (16)	909140007		.98
4 Bracket, Bumper	R 57707AE53A		69.18
	L 57707AE54A		66.40
5 Clip, Attaching (6)	909140028		3.45
6 Extension, Lower Bumper	R 57731AE62A		19.95
	L 57731AE63A		19.95
7 Extension, Bumper Side	R 57731AE02A		39.95
	L 57731AE03A		39.95
8 Clip, Mounting (2/Side)	R/L 99090FE000		6.07
9 Absorber, Impact	57705AE06A		64.95
10 Bar, Reinforcement	57711AE30B	1.6	274.47
11 Bolt, Mounting (2/Side)	R/L 99090FE000		6.07

SUBARU FORESTER 2003-06

SECTION INDEX

A/C HEATER/VENTILATION	1179
A/C REFRIGERANT CAPACITIES	1179
ABS/BRAKES	1182
AIR BAG SYSTEM	1181
AIR CLEANER	1185
CENTER CONSOLE	1188
CLEAR COAT IDENTIFICATION	1176
COOLING	1178
COWL & DASH	1187
CRUISE CONTROL SYSTEM	1182
ELECTRICAL	1186
EMISSION SYSTEM	1186
ENGINE OIL COOLER	1179
ENGINE UNDER COVER	1185
ENGINE/TRANS	1184
ENGINE/TRANS MOUNTS	1185
EXHAUST	1185
FRONT BUMPER	1177
FRONT DOOR	1192
FRONT DRIVE AXLE	1183
FRONT FENDER	1180
FRONT INNER STRUCTURE	1180
FRONT LAMPS	1177
FRONT SEAT	1190
FRONT STEERING LINKAGE/GEAR	1183
FRONT SUSPENSION	1182
FUEL TANK	1199
GRILLE	1177
HOOD	1178
INFORMATION LABELS	1176
INSTRUMENT PANEL	1187
LIFTGATE	1197
PAINT CODE LOCATION	1176
QUARTER GLASS	1197
QUARTER PANEL	1196
REAR BODY	1200
REAR BUMPER	1201
REAR DOOR	1193
REAR DRIVE AXLE	1199
REAR LAMPS	1200
REAR SEAT	1190
REAR SUSPENSION	1198
ROCKER/PILLARS/FLOOR	1189
ROOF	1195
SEAT BELTS	1191
SPECIAL CAUTIONS	1176
STEERING PUMP	1183
STEERING WHEEL/COLUMN	1183
SUNROOF	1196
TURBOCHARGER/INTERCOOLER	1185
UNDERHOOD DIMENSIONS	1180
WHEEL	1182
WINDSHIELD	1186

SPECIAL CAUTIONS

SUPPLEMENTAL RESTRAINT SYSTEM SRS

Refer to Procedure Explanation 29 for Supplemental Restraint/Air Bag Special Cautions.

PAINT CODE LOCATION

Paint code located on left shock tower.

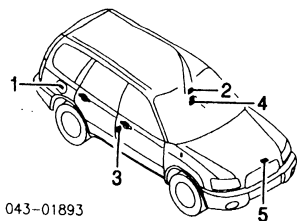
CLEAR COAT IDENTIFICATION

All colors are clear coat.

INFORMATION LABELS

Illustration Located in Next Column

1 Label, Unleaded Fuel			
2.5 X, 2.5 XS, L.L. Bean Model	10024AA160		1.44
2.5 XT Model	10024AA170		1.74



043-01893

2 Label, Tire Pressure	28181SA250	2.05
3 Label, Radio Noise	72822FE030	3.35
4 Label, Air Bag	R/L 98281AE060	3.08
5 Label, A/C	73772SA010	4.32
Label, Fuse	82245SA010	1.66

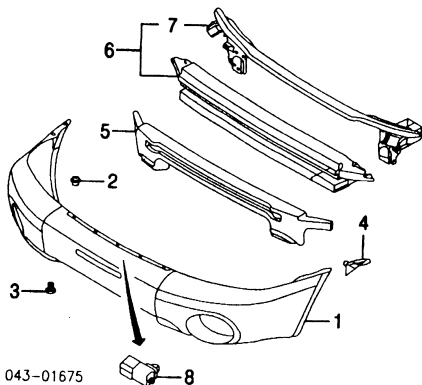
FRONT BUMPER

Use Procedure Explanations 1 and 28 with the following text.

2003-05

Refinish Front Cover.....	2.0
R&I Bumper Assy.....	#1.5
O/H Bumper Assy (Includes R&I).....	#1.8
#Includes R&I Grille Assy	
Add to R&R Front Cover or O/H Bumper Assy	
w/Fog Lamps.....	.3
w/Brush Guard.....	.5

NOTE: All Parts in this section are included in overhaul unless noted otherwise.



043-01675

1 Cover, Front		
2.5 X Model	57703SA020MC	#1.8 189.95
2.5 XS, 2.5 XT, L.L. Bean Model (P)	57704SA000	#1.8 189.95
(P) Paint to Match		
#Includes R&I Grille Assy		
2 Clip, Cover (10)	909140007	.98
3 Clip, Lower Cover	R/L 57728AC090	1.18
4 Slider, Side	R 57765SA020	3.45
	L 57765SA030	3.45
5 Absorber, Energy	57705SA000	IOH 64.95
6 Bar Assy, Reinforcement	57712SA000	IOH 239.95
7 Stay, Bar	57712SA1509P	IOH 41.98
#Included w/Reinforcement Bar Assy		
8 Sensor, Ambient	73731FC000	#.3 48.53
#Not Included in O/H		
Guard, Brush		
Black	E7710SA000VB	#.5 259.95
Gray	E7710SA000MA	#.5 259.95
#w/Bumper Assy Removed, Not Included in O/H		

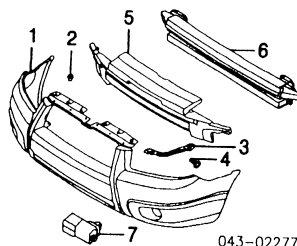
2006

Refinish Front Cover.....	2.5
R&I Bumper Assy.....	#1.5
O/H Bumper Assy (Includes R&I).....	#1.8
#Includes R&I Grille Assy	
Add to R&R Front Cover or O/H Bumper Assy	
w/Fog Lamps.....	.3

NOTE: All Parts in this section are included in overhaul unless noted otherwise.

Illustration Located in Next Column

1 Cover, Front		
2.5 X Model	57703SA080MC	#1.8 199.95
2.5 XS, 2.5 XT, L.L. Bean Model (P)	57704SA070	#1.8 199.95
(P) Paint to Match		
#Includes R&I Grille Assy		

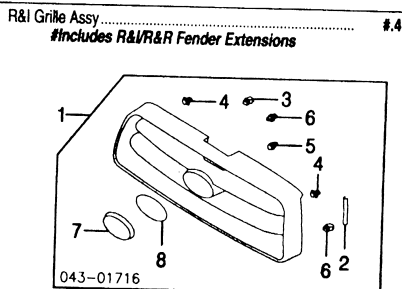


043-02277

2 Clip, Cover (11)	909140007	.98
3 Bracket, Side	R 57765SA020	3.45
	L 57765SA030	3.45
4 Bolt, Bracket (2/Side)	R/L 045105120	.40
5 Absorber, Energy	57705SA050	IOH 64.95
6 Bar, Reinforcement	57712SA230	IOH 239.95
7 Sensor, Ambient	73731FC000	#.3 48.53
#Not Included in O/H		

GRILLE

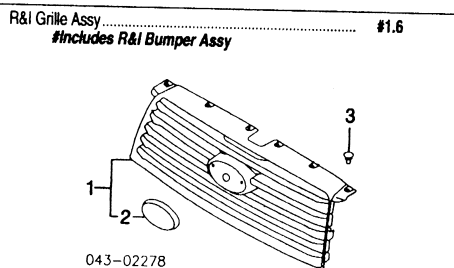
2003-05



043-01716

R&I Grille Assy.....		#.4
#Includes R&I/R&R Fender Extensions		
1 Grille Assy	91121SA050	#.5 208.65
#Includes R&I/R&R Fender Extensions		
2 Spacer, Grille Side	R/L 91176SA010	4.07
3 Clip, Grille		
No. 1 (2)	91017AA010	4.03
No. 2 (2)	91017FA080	3.07
No. 3	91059FC090	1.67
No. 4	R/L 91059FC041	1.67
Emblem (Adhesive)	91174SA002	.2 53.02
Base, Emblem	03 91174SA040	20.55
	04-05 N.A.	0.00
#Included w/Grille Assy		

2006



043-02278

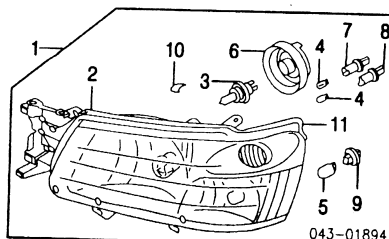
R&I Grille Assy.....		#1.6
#Includes R&I Bumper Assy		
1 Grille Assy		
To 9-05	91121SA082	#1.6 269.95
From 9-05	91121SA082	#1.6 269.95
#Includes R&I Bumper Assy		
2 Emblem (Adhesive)		
To 9-05	93013SA030	.2 60.40
From 9-05	93013SA031	.2 54.30
#Included w/Grille Assy		
3 Clip, Grille (6)	909140042	1.70

FRONT LAMPS

COMBINATION LAMP 2003-05

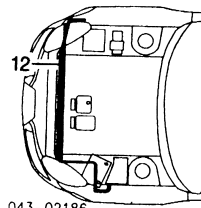
Aim Lamps.....	.4
R&I Combination Lamp Assy.....	R/L #.6
#Includes R&I Grille Assy, Right Side is w/Air Intake Duct Removed, Included in R&I/R&R Fender	

NOTE: R&R Does Not include aim lamps.



043-01894

1 Lamp Assy, Combination	03-04 R 84001SA020	#.6 232.95
	L 84001SA030	#.6 232.95
	05 R 84001SA300	#.6 232.95
	L 84001SA310	#.6 232.95
2 Lens & Body	03-04 R 84912SA120	#.6 217.47
	L 84912SA130	#.6 217.47
	05 R 84912SA610	#.6 217.47
	L 84912SA620	#.6 217.47
#Includes R&I Grille Assy, Right Side is w/Air Intake Duct Removed, Included in R&I/R&R Fender		
3 Bulb, Headlamp	03-04 R/L 84920AA090	#.2 19.95
	05 R/L 84920SA000	#.2 19.95
4 Bulb, Clearance/Marker (2/Side)	R/L 784920080	#.2 1.50
5 Bulb, Turn Signal	R/L 84920KE020	#.2 11.98
#R&R One Side Complete, Included in R&I/R&R Combination Lamp Assy		
6 Cap, Headlamp	R/L 84962SA000	8.68
7 Socket, Clearance	R/L 84930FA000	8.37
8 Socket, Marker	R/L 84930FC020	6.07
9 Socket, Turn Signal	R/L 84930SA000	8.68
10 Clip, Lamp (2/Side)	R/L 84965AA070	1.04
11 Gasket, Lamp	03-04 R/L 84940SA020	17.67
	05 R/L N.A.	0.00
#Included w/Combination Lamp Assy		



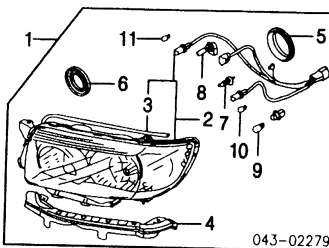
043-02186

12 Harness, Front Lamp	81202SA000	359.60
------------------------	------------	--------

COMBINATION LAMP 2006

Aim Lamps.....	.4
R&I Combination Lamp Assy.....	R/L #1.8
#Includes R&I Front Bumper Assy, Right Side is w/Air Intake Duct Removed, Included in R&I/R&R Fender	

NOTE: R&R Does Not include aim lamps.



043-02279

1 Lamp Assy, Combination	R 84001SA460	#1.8 329.95
	L 84001SA470	#1.8 329.95
2 Lens & Body Assy, Combination	R 84912SA850	#1.8 305.67
	L 84912SA860	#1.8 305.67
#Includes R&I Front Bumper Assy, Right Side is w/Air Intake Duct Removed, Included in R&I/R&R Fender		
3 Seal, Lamp (a)	R 84942SA020	#.3 21.87
	L 84942SA030	#.3 21.87
(a) Included w/Combination Lens & Body Assy		
4 Bracket, Lamp	R 57707SA180	#.3 16.82
	L 57707SA190	#.3 16.82
#R&R One Side Complete, w/ Front Bumper Assy Removed, Right Side is w/Air Intake Duct Removed, Included in R&I/R&R Fender		
Cover, Lamp		
5 Low Beam	R/L 84953FE110	5.03
6 High Beam	R/L 84953SA010	8.18
Bulb, Headlamp		
7 Low Beam	R/L 84920PA060	#.2 19.95
8 High Beam	R/L 84920PA000	#.2 19.95
9 Bulb, Turn Signal	R/L 84920FE010	#.2 14.98
10 Bulb, Marker	R/L 784920080	#.2 1.50
11 Bulb, Clearance	R/L 784920080	#.2 1.50
#Included w/Combination Lamp Assy		

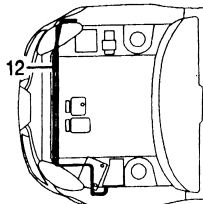
SUBARU FORESTER 2003-06

FRONT LAMPS Cont'd

COMBINATION LAMP

2006 Cont'd

#R&R One Side Complete

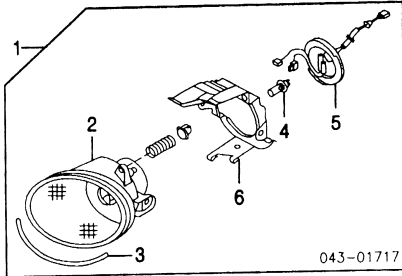


043-02186

12 Harness, Front Lamp 81202SA000 359.60

FOG LAMP 2003-05

R&L Fog Lamp Assy R/L #.3
#Included in R&R Front Cover or O/H Bumper Assy

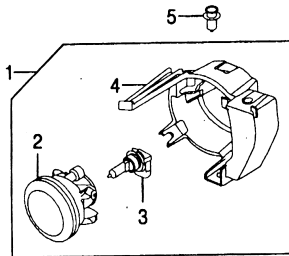


043-01717

1 Lamp Assy, Fog	R 84501SA100	#.3	175.05
	L 84501SA110	#.3	175.05
2 Lens & Body			
2003			
To 10-02	R 84912SA200	#.3	115.05
	L 84912SA210	#.3	115.05
From 11-02	R 84912SA490	#.3	118.50
	L 84912SA500	#.3	118.50
2004-05	R 84912SA490	#.3	118.50
	L 84912SA500	#.3	118.50
#Included in R&R Front Cover or O/H Bumper Assy			
3 Gasket, Lamp	R 84940SA030		4.32
	L 84940SA040		4.32
4 Bulb, Fog Lamp	R/L 84920GA400	.2	15.95
5 Socket, Fog Lamp	R/L 84981SA000		29.45
6 Bracket, Fog Lamp	R 84927SA000		24.27
	L 84927SA010		24.27
#Included w/Fog Lamp Assy			

FOG LAMP 2006

R&L Fog Lamp Assy R/L #.3
#Included in R&R Front Cover or O/H Bumper Assy



6 043-02280

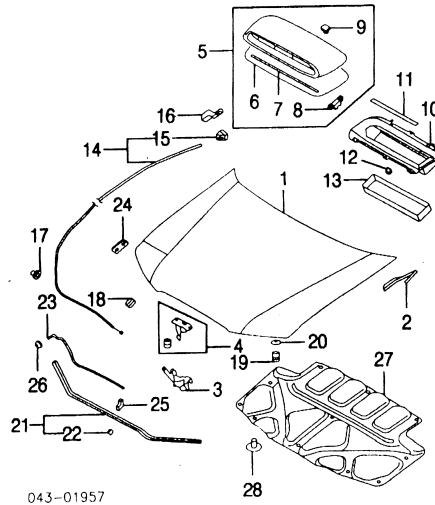
1 Lamp Assy, Fog	R 84501SA180	#.3	153.65
	L 84501SA190	#.3	153.65
2 Lens & Housing, Lamp	R 84913FE260	#.3	122.00
	L 84913FE270	#.3	122.00
#Included in R&R Front Cover or O/H Bumper Assy			
3 Bulb, Lamp	R 84920PA010		19.95
	L 84920PA010	.2	19.95
4 Bracket, Lamp	R 84927SA130	.2	15.98
	L 84927SA140		15.98
#Included w/Fog Lamp Assy			
5 Clip, Retainer	R/L 909140007		.98
6 Screw, Fog Lamp Mtg (2/Side)	R/L 57770KC000		.98

HOOD

Use Procedure Explanations 4 and 28 with the following text.

Refinish Hood Outside	2.5
Add for Underside	1.2
Refinish Hinge	R/L .2
Refinish Hood Scoop	.5
R&L Hood Assy	.5
R&L Washer Nozzle	R/L #.2

#Included in R&R Hood



043-01957

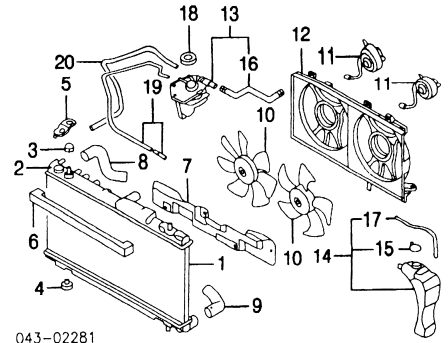
1 Panel, Hood (Aluminum)	03-05 57229SA0009P	1.2	349.95
2.5 X, 2.5 XS, LL Bean Model	06 57229SA0209P	1.2	349.95
2.5 XT Model	03-05 57229SA0109P	1.2	349.95
	06 57229SA0309P	1.2	349.95
2 Hinge, Hood	R 57260SA0009P	#.3	24.52
	L 57260SA0109P	#.3	24.52
#w/Hood Removed			
3 Latch, Hood	03-05 57310SA020	.3	46.42
	06 57310SA040	.3	35.13
	57311SA000	.2	22.52
4 Striker, Hood Latch			
5 Scoop Assy, Hood (P)	90821FE003NN	.3	173.28
(P) Paint to Match			
6 Seal, Hood Scoop	90875FE000		6.95
7 Seal, Rear	90875FE010		3.08
8 Clip, Front (2)	909140027		1.26
9 Clip, Rear	909130083		2.12
#Included w/Hood Scoop Assy			
10 Duct, Upper Scoop	90817SA0209P		92.43
2.5 XT Model	90875FE030		3.00
11 Seal, Duct	59130AA000		1.18
12 Rivet			
13 Duct, Lower Scoop	90817SA010		36.42
2.5 XT Model	57330SA000ML	.7	23.45
14 Cable Assy, Hood Release	57340FA100ML	.3	6.95
15 Handle, Release (a)			
(a) Included w/Hood Release Cable Assy			
16 Bracket, Handle	57347SA010		7.82
17 Protector, Hood Release Cable	57333FA000		1.34
18 Clip, Hood Release Cable (3)	57371GA070		1.85
19 Bumper, Front Hood	R/L 57254AA011	.1	2.40
20 Protector, Bumper (2/Side)	R/L 57253AA031		.62
21 Seal Assy, Hood Front	03-05 57252SA001	.2	25.25
	06 57252SA020	.2	25.25
	90826FA000		1.24
(b) Included w/Hood Front Seal Assy			
22 Clip, Seal (b) (14)			
23 Stay, Hood Support	57251SA000	#.2	22.52
24 Holder, Hood Stay	57242SA000	#.2	2.62
25 Clamp, Hood Stay	57255SA000	#.2	2.43
26 Grommet, Hood Stay	57253AA010	#.2	2.97
#R&R Complete			
27 Insulator, Hood	03-05 90815SA030	.3	76.25
2.5 X, 2.5 XS, LL Bean Model	06 90815SA100	.3	92.57
2.5 XT Model	90815SA040	.3	76.25
28 Clip, Insulator (11)	909130074		1.04
Nozzle Assy, Washer-See Windshield Section			

COOLING

Use Procedure Explanations 5 and 28 with the following text.

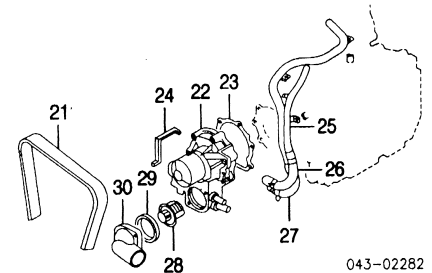
W/TURBO

R&L Radiator		
Man Trans	.7	
Auto Trans	.9	



043-02281

1 Radiator			
Man Trans	03-05 45119SA000	.7	349.95
	06 45111SA141	.7	349.95
Auto Trans	03-05 X4511SA091	.9	359.99
	06 45111SA151	.9	379.95
2 Cap, Radiator	45137AE002		13.53
3 Cushion, Upper Radiator	R/L 45135AE030		2.12
4 Cushion, Lower Radiator	R/L 45135AE040		2.80
5 Bracket, Radiator	R/L 45124SA000		7.68
6 Seal, Radiator	R 45167AE000		11.80
7 Cover, Radiator	45109FC050		33.78
8 Hose, Upper Radiator	45161SA000	#.6	13.33
9 Hose, Lower Radiator	X4511FC040	#.6	13.33
#R&R Both .8			
10 Blade, Fan	R 45121KE001	#.7	39.95
	L 45121FE010	#.7	39.95
11 Motor, Fan	R/L 45131SA000	#.7	199.95
#R&R One Side Complete, R&R Both Sides 1.0			
12 Shroud, Fan	45122SA000	#1.0	76.25
#Includes R&R Both Fans & Motors, w/Radiator Removed .6			
Tank Assy, Coolant			
13 Right	21132AA131	.6	103.97
14 Left	03-05 45150SA010	.3	50.25
	06 45150SA020	.3	45.43
	L 45153AA000		4.37
15 Cap, Coolant Tank			
Hose, Coolant Tank	99078AA073		8.35
16 Right	03-05 45162FC050		25.25
17 Left	06 45162SA010		17.98
#Included w/Coolant Tank Assy			
18 Cap, Coolant Tank	R 45137AE002		13.53
19 Tank Side	R 45162FC080	#.3	16.15
20 Radiator Side	R 45162FC090	#.3	16.63
#R&R Both .5			



043-02282

21 Belt, Drive-See Electrical Section		m	3.0	119.95
22 Pump, Water	21111AA240			
	21114AA051	m		2.63
23 Gasket, Water Pump	21116AA010	m		2.23
24 Seal, Water Pump	03-05 14065AA250	m	2.6	66.70
25 Pipe, By-Pass	06 14065AA290	m	2.6	62.87
Hose, By-Pass				
26 Upper	807612011			6.98
27 Lower	807615182			6.25
28 Thermostat	21200AA072			#.6 14.95
29 Gasket, Thermostat	21236AA010			#.6 3.43
30 Housing, Thermostat	11060AA061			#.6 31.63
#R&R Complete				

W/O TURBO

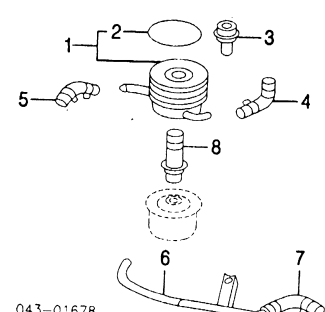
R&L Radiator	
Man Trans	.7
Auto Trans	.9

Illustration Located in Next Column

1 Radiator			
Man Trans	45119SA040	.7	321.10
Auto Trans	03-05 45119SA050	.9	349.95
	06 45119SA060	.9	349.95
2 Cap, Radiator	45137AE002		13.53
3 Cushion, Upper Radiator	R/L 45135AE030		2.12

11 Hose, Outlet	807611121	m	#.4	6.07
12 Hose, Inlet (2)	807611031	m	#.4	10.55
#R&R Both .6				
13 Pipe, Inlet	21328AA011	m	.7	29.77

W/O TURBO

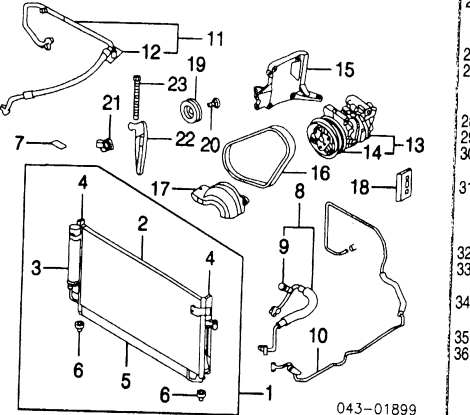


1 Cooler Assy, Oil	21311AA010	m	1.0	265.17
2 Gasket, Oil Cooler	21370KA001	m		5.82
<i>¶Included w/Oil Cooler Assy</i>				
3 Fitting, Hose	21369AA040	m		35.35
4 Hose, Outlet	807611031	m	#.4	10.55
5 Hose, Inlet	807611100	m	#.4	5.03
#R&R Both .6				
6 Pipe, Oil Cooler	03-05 21328AA090	m	.7	14.27
	06 21328AA140	m	.7	22.88
7 Hose, Oil Cooler	807611131	m	.4	6.07
8 Connector, Oil Cooler	21317AA022	m		43.38

A/C REFRIGERANT CAPACITIES
 A/C R-134a Refrigerant Capacity
 20-23 Ozs (1.25-1.44 Lbs), 567-652 g

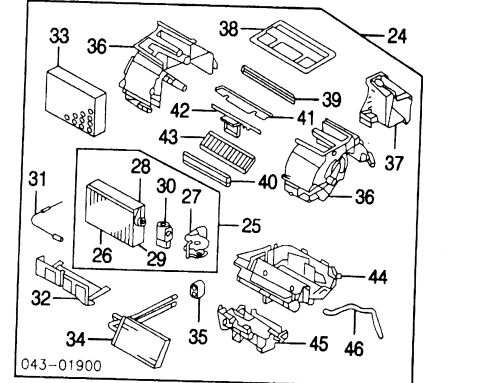
A/C /HEATER/VENTILATION

Use Procedure Explanation 6 with the following text.
 R/I Condenser..... m .6
 Evacuate & Recharge System m 1.4
 Recover Refrigerant m .3
NOTE: R&R/R&R Does Not include recover, evacuate and recharge system.

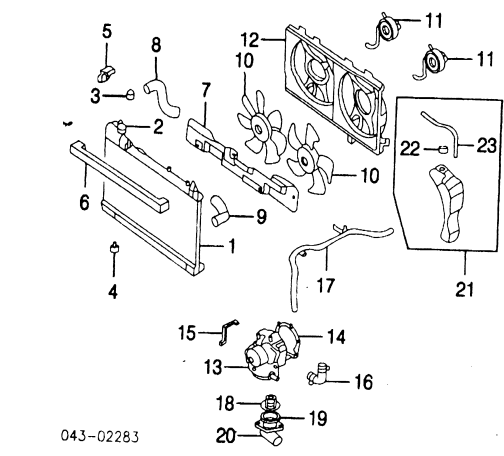


1 Condenser Assy	73210SA010	m	.6	329.95
2 Condenser	2003-04 73211SA000	m	.6	329.95
	2005 To 12-04 73211SA000	m	.6	329.95
	From 12-04 73211SA010	m	.6	329.95
	2006 73211SA010	m	.6	329.95
3 Receiver/Drier	73411SA000	m	.5	114.95
4 Seal, Condenser Side	R 73237SA010			3.35
	L 73237SA000			3.35
	2005 To 12-04 R 73237SA010			3.35
	L 73237SA000			3.35
	From 12-04 R 73237SA010			3.35
	L 73237SA000			3.35
	2006 R 73237SA010			3.25
	L 73237SA000			3.25
5 Seal, Condenser Lower	73237SA020			9.23
	2003-04 To 12-04 73237SA020			9.23
	2005 From 12-04 73237SA040			8.97
	2006 73237SA040			8.97
6 Mount, Condenser Lower	R/L 73232SA000			5.20
<i>¶Included w/Condenser Assy</i>				
7 Label, A/C-See Information Labels Section				
8 Hose Assy, Pressure	73421SA000	m	.5	108.95

9 Valve, Pressure (a)	73058PA000	m	.3	9.25
<i>(a) Included w/Pressure Hose Assy</i>				
10 Pipe, Condenser	03-05 73430SA010	m	.5	108.95
	06 73430SA090	m	.5	108.95
	73422SA010	m	.5	108.95
11 Hose Assy, Suction	73733FA020	m	.5	26.88
12 Bracket, Receiver/Drier (b)				
<i>(b) Included w/Suction Hose Assy</i>				
13 Compressor Assy	73111SA001	m	.9	542.81
14 Clutch, Compressor (c)	73121SA000	m	1.5	230.55
<i>(c) Included w/Compressor Assy</i>				
15 Bracket, Compressor	73611SA000			178.48
16 Belt, A/C	73323AC000		.5	11.95
17 Cover, A/C Belt	73741FE001	#2		6.02
<i>2.5 X, 2.5 XS, L.L. Bean Model</i>				
<i>2.5 XT Model (d)-See Electrical Section</i>				
<i>(d) Serviced w/Drive Belt Cover</i>				
¶Included in R&R Compressor Assy				
18 Bracket, Belt Cover	73137SA000			6.07
19 Pulley, Idler	73131FC000	m	#.7	33.65
20 Shaft, Pulley	73132AC000	m	#.7	9.08
21 Adjuster, Pulley	73134AC001	m	#.7	6.75
#R&R Complete				
22 Bracket, Pulley	73610AC000			22.82
23 Bolt, Flange	73790AC100			2.53

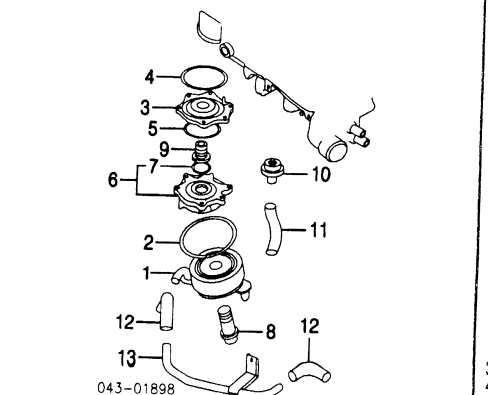


24 Evaporator/Heater Assy				
w/A/C	72110SA012	m	#.8	325.85
w/ATC	03-05 72110SA021	m	#.8	494.76
w/o ATC	06 72110SA022	m	#.8	494.76
w/o A/C	72110SA041	m	#.8	290.38
25 Evaporator Assy (d) (e)	73523SA050	m	#1.5	359.95
<i>(d) Order by Application</i>				
#w/Instrument Panel Removed				
26 Core, Evaporator (e) (f)	73523SA010	m	#1.8	316.37
27 Pipe, Evaporator (e) (f)	73430SA061	m	#1.8	101.95
#R&R Complete, w/Instrument Panel Removed				
28 Seal, Evaporator Core (e) (f)				
	72133SA100	m		17.67
29 Side	72133SA110	m		17.15
30 Valve, Expansion (e) (f)	73531SA000	m		96.70
<i>(f) Included w/Evaporator Assy</i>				
31 Thermostat (e)				
w/ATC	73540SA010	m		69.32
w/o ATC	03-05 73540SA000	m		69.32
	06 73540SA020	m		67.30
32 Seal, Lwr Evaporator Core (e)	72133SA090	m		29.45
33 Plate, Blower (e)				
w/o A/C	03 72228SA000	m		51.47
34 Core, Heater (e)	72130SA010	m	#3.1	317.68
#Includes R/I Instrument Panel				
35 Seal, Heater Core (e)	72133SA130	m		8.97
36 Case, Upper (e)				
w/ATC	R 72120SA050	m		41.23
	L 72120SA070	m		41.23
	R 72120SA060	m		40.03
	L 72120SA080	m		41.23
	L 72126SA010	m		30.33
w/o ATC	72133SA060	m		8.97
37 Cover, Heater (e)				
38 Seal, Upper Case (e)				
39 Door, Defroster (e)				
	2003 To 6-02 72162SA020	m		22.88
	From 7-02 72162SA021	m		24.27
	2004-06 72162SA021	m		24.27
40 Door, Foot Vent (e)	72162SA030	m		22.88
41 Door, Vent (e)	72162SA040	m		29.45
42 Guide, Heater (e)	72157SA010	m		17.15
43 Door, Mix (e)	72182SA050	m		28.60
44 Case, Lower (e)	72120SA090	m		42.47
45 Duct, Foot Air (e)	72127SA030	m		29.45
46 Hose, Drain (e)	73441SA010	m		39.95
<i>(e) Included w/Evaporator/Heater Assy</i>				
<i>Illustration Located in Next Column</i>				
47 Blower Assy				
	2.5 X Model			
	2003 72210SA010	m	#.8	349.95
	2004 72210SA010	m	#.8	349.95
	From 3-04 72210SA070	m	#.8	238.33



4 Cushion, Lower Radiator	R/L 45135AE040			2.80
5 Bracket, Radiator	R/L 45124SA000			7.68
6 Seal, Radiator	R 45167AE000			11.80
7 Cover, Radiator	06 45109FC050			33.78
8 Hose, Upper Radiator	45161SA010	#6		13.25
9 Hose, Lower Radiator	03-05 X4511FC060	#6		13.33
	06 X4511FC040	#6		13.33
#R&R Both Hoses .8				
10 Blade, Fan	R 45121KE001	#7		39.95
	L 45121FE001	#7		39.95
11 Motor, Fan	R/L 45131FE000	#7		199.95
#R&R One Side Complete, R&R Both Sides 1.0				
12 Shroud, Fan	45122SA000	#1.0		76.25
#Includes R&R Both Fans & Motors, w/Radiator Removed .6				
13 Pump, Water				
Man Trans	03-05 21111AA007	m	3.0	94.95
	06 21111AA280	m	3.0	119.95
Auto Trans	03-05 21111AA230	m	3.0	94.95
	06 21111AA290	m	3.0	119.95
14 Gasket, Water Pump	21114AA051	m		2.63
15 Seal, Water Pump	21116AA010	m		2.23
16 Hose, By-Pass	807615081	m		10.55
17 Pipe, By-Pass	14065AA121	m	2.6	17.00
18 Thermostat	03-05 21200AA072	#6		14.95
	06 21200AA170	#6		19.05
19 Gasket, Thermostat	21236AA010	#6		3.43
20 Housing, Thermostat	03-05 11060AA071	#6		16.48
	06 11060AA061	#6		31.63
#R&R Complete				
21 Tank Assy, Coolant	45150SA000		.4	46.80
22 Cap, Coolant Tank	45153AA000			4.37
23 Hose, Coolant Tank	45162SA000		.1	11.27
<i>¶Included w/Coolant Tank Assy</i>				

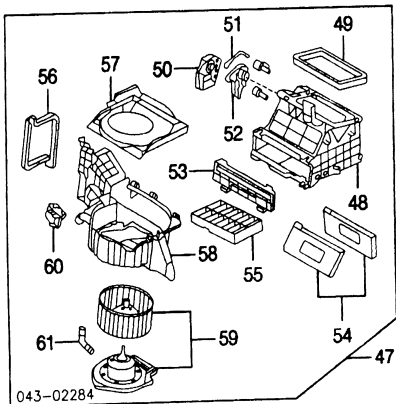
ENGINE OIL COOLER
W/TURBO



1 Cooler, Oil	21311AA071	m	#1.0	168.50
2 Gasket, Oil Cooler	21370KA001	m	#1.0	5.82
3 Adapter, Oil Cooler				
	Upper 21675AA010	m	#1.0	60.68
	Lower 21370KA001	m	#1.0	5.82
4 Gasket, Adapter				
5 O-Ring, Adapter				
	Upper 806959030	m	#1.0	2.18
6 Adapter Assy, Oil Cooler				
	Lower 21684AA000	m	#1.0	67.30
7 O-Ring, Adapter				
	Lower 806932040	m	#1.0	1.75
<i>¶Included w/Oil Cooler Adapter Assy</i>				
#R&R Complete				
8 Connector, Oil Cooler	21317AA041	m		35.35
9 Connector, Oil Cooler Adapter	21688AA000	m		36.42
10 Fitting, Hose	21369AA040	m		35.35

SUBARU FORESTER 2003-06

A/C /HEATER/VENTILATION Cont'd



2005-06 2.5 XS, 2.5 XT, L.L. Bean Model 2003	72210SA070	m	#.8	238.33
2004 To 3-04 From 3-04	72210SA030	m	#.8	209.95
2005-06	72210SA060	m	#.8	349.95
2005-06	72213SA070	m	#1.3	48.53
48 Housing, Blower (g) #w/Glove Box Removed	72218SA000	m		6.75
49 Seal, Housing (g)	72131SA020	m	1.3	129.92
50 Motor, Actuator (g)	72217SA000	m		5.72
51 Rod, Actuator (g)	72216SA050	m		6.75
52 Lever, Actuator (g)	72254SA000	m		23.57
53 Cover, Blower (g)	72233SA000	m		34.32
54 Shutter, Blower (g)	G3010SA100	m		39.95
55 Filter (g)	72218SA010	m		8.65
56 Gasket, Blower (g)	72213SA060	m		30.33
57 Case, Upper Blower (g)	72213SA040	m		41.23
58 Case, Lower Blower (g) w/ATC	72213SA050	m		42.47
59 Motor, Blower (g) w/ATC	72223SA020	m	#.5	301.65
59 Motor, Blower (g) w/o ATC	72223SA030	m	#.5	179.95
#w/Glove Box Removed				
60 Resistor, Blower (g)	72226SA000	m		58.93
61 Hose, Blower (g) w/o ATC	72241SA000	m		23.57
(g) Included w/Blower Assy				

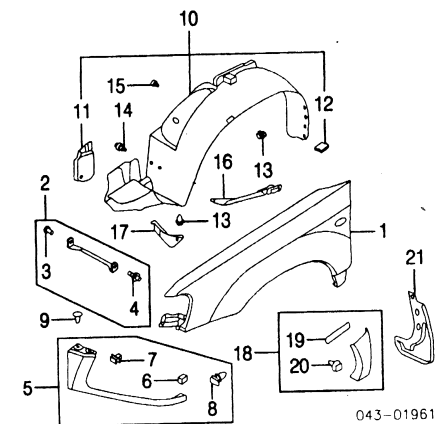
FRONT FENDER

Use Procedure Explanations 7 and 28 with the following text.

Refinish Fender Outside.....	R/L	1.9
Add to Edge.....	R/L	.5
Refinish Fender Extension Assy.....	R/L	.6
Refinish Fender Moulding Assy.....	R/L	.5
Refinish Mudguard.....	R/L	.5
R&I Fender Assy.....	R/L	#3.0

#Includes R&I Bumper Assy, R&I/R&R Combination Lamp Assy, Fender Liner, Fender Extension, Side Moulding & Engine Under Cover, R&R Both Sides 4.5

R&I Fender Extension.....	R/L	.2
R&I Fender Moulding.....	R/L	.2
R&I Mudguard.....	R/L	.2
R&R Mudguard		
Front.....	R/L	.2
Rear.....	R/L	.2



1 Fender	03-05 R 57110SA0209P	#3.2	179.95
	L 57110SA0309P	#3.2	179.95
	06 R 57110SA0409P	#3.2	199.95

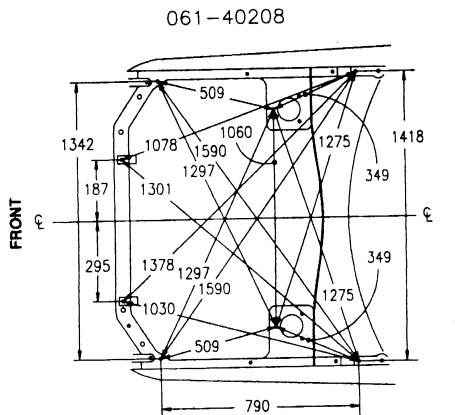
L 57110SA0509P	#3.2	199.95
#Includes R&I Bumper Assy, R&I/R&R Combination Lamp Assy, Fender Liner, Fender Extension, Side Moulding & Engine Under Cover, R&R Both Sides 4.9		
2 Stay Assy, Fender	R 57121SA001	11.60
	L 57121SA011	11.60
3 Clip, Fender Stay†	R/L 57160A000	2.05
4 No. 2	R/L 59130AA000	1.18
†Included w/Fender Stay Assy		
5 Extension Assy, Fender		
Black	R 57112SA000VO	.2
	L 57112SA010VO	81.95
Black Pearl	R 57112SA000VW	.2
	L 57112SA010VW	81.95
Blue	R 57112SA000IU	.2
	L 57112SA010IU	81.95
Blue Pearl	R 57112SA000BH	.2
	L 57112SA010BH	81.95
Champagne	R 57112SA000GA	.2
	L 57112SA010GA	81.95
Crystal Gray	R 57112SA000MJ	.2
	L 57112SA010MJ	81.95
Gold	R 57112SA000GH	.2
	L 57112SA010GH	81.95
Green	R 57112SA000FF	.2
	L 57112SA010FF	81.95
Red	R 57112SA000UD	.2
	L 57112SA010UD	81.95
Silver	R 57112SA000TG	.2
	L 57112SA010TG	81.95
White	R 57112SA000WG	.2
	L 57112SA010WG	81.95
Paint to Match	R 57122SA000	.2
	L 57122SA010	23.17
	R/L 57151SA020	2.12
6 Spacer, Extension (a)	R/L 57160FC010	1.04
7 No. 1 (3/Side) (a)	R/L 57160FC000	1.16
8 No. 2 (a)	R/L 909130059	1.04
9 No. 3 (2/Side)	R 59110SA002	.4
(a) Included w/Fender Extension Assy	L 59110SA012	.4
	R 59123SA020	17.32
10 Liner Assy, Fender		
11 Plate, End (b)	R/L 759114020	.94
12 Clip, Liner		
13 No. 1 (b)	R/L 59122FA010	1.52
	R/L 759114020	.94
2003 (8/Side)	R/L 57728AC090	1.18
2004-06 (12/Side)	R/L 46064AE000	1.04
14 No. 3 (3/Side)		
15 No. 4	R 59140SA000	4.32
(b) Included w/Fender Liner Assy	L 59140SA010	4.32
16 Bracket, Frame	R 59123SA001	5.38
	L 59123SA011	5.38
17 Filler, Lower		
18 Moulding Assy, Fender		
2.5 X Model (P)	R 91112SA200	.2
	L 91112SA210	19.07
2.5 XS, 2.5 XT, L.L. Bean Model		
Black	R 91119SA100VO	.2
	L 91119SA110VO	30.65
Black Pearl	R 91119SA100VW	.2
2003-04	L 91119SA110VW	31.57
2005		
To 12-04	R 91119SA100VW	.2
	L 91119SA110VW	31.57
From 12-04	R 91119SA200VW	.2
	L 91119SA210VW	31.57
2006	R 91119SA200VW	.2
	L 91119SA210VW	31.57
Blue Pearl	R 91119SA100BH	.2
2003-04	L 91119SA110BH	30.65
2005		
To 12-04	R 91119SA100BH	.2
	L 91119SA110BH	30.65
From 12-04	R 91119SA200BH	.2
	L 91119SA210BH	30.65
2006	R 91119SA200BH	.2
	L 91119SA210BH	31.57
Champagne	R 91119SA100GA	.2
2003-04	L 91119SA110GA	31.57
2005		
To 12-04	R 91119SA100GA	.2
	L 91119SA110GA	31.57
From 12-04	R 91119SA200GA	.2
	L 91119SA210GA	30.65
2006	R 91119SA200GA	.2
	L 91119SA210GA	30.65
Crystal Gray	R 91119SA100MJ	.2
2003-04	L 91119SA110MJ	31.57
2005		
To 12-04	R 91119SA100MJ	.2
	L 91119SA110MJ	31.57
From 12-04	R 91119SA200MJ	.2
	L 91119SA210MJ	31.57
2006	R 91119SA200MJ	.2
	L 91119SA210MJ	31.57
Gold	R 91119SA100GH	.2
	L 91119SA110GH	30.65
Gray	R 91119SA100MA	.2
2003-04	L 91119SA110MA	30.65
2005		
To 12-04	R 91119SA100MA	.2
	L 91119SA110MA	30.65
From 12-04	R 91119SA200MA	.2
	L 91119SA210MA	31.62

2006	R 91119SA200MA	.2	31.62
	L 91119SA210MA	.2	31.62
Red	R 91119SA100UD	.2	30.65
2003-04	L 91119SA110UD	.2	30.65
2005			
To 12-04	R 91119SA100UD	.2	30.65
	L 91119SA110UD	.2	30.65
From 12-04	R 91119SA200RO	.2	31.62
	L 91119SA210RO	.2	31.62
2006	R 91119SA200RO	.2	31.62
	L 91119SA210RO	.2 </tr	

(P) Paint to Match			
19 Protector, Moulding (c)	R/L 91088FC000		6.63
20 Clip, Moulding (c) (d)			
2003	R/L 909130088		2.62
To 9-02	R/L 909130109		1.04
From 9-02	R/L 909130109		1.04
2004-06			
(c) Included w/Fender Moulding Assy			
(d) As Required			
21 Mudguard Set (e)			
Dealer Installed			
Black Pearl	J1010SA000VO	#	124.95
Flat Black	J1010SA000MC	#	124.95
Gray	J1010SA000MA	#	75.38
Gold	J1010SA000GH	#	75.38
Red	J1010SA000UD	#	75.38
Silver	J1010SA000TG	#	75.38
White	J1010SA000WG	#	75.38
(e) Set of 4			
#See Headnotes for Labor Time			

UNDERHOOD DIMENSIONS

2003-05



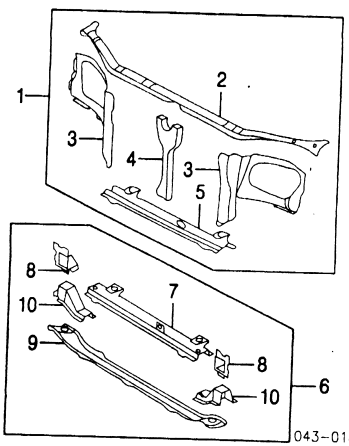
2006

Information not available at time of publication.

FRONT INNER STRUCTURE

Use Procedure Explanations 8 and 28 with the following text.		
FRONT		
Refinish Radiator Support Assy Complete.....	*	1.5
Refinish Upper Tie Bar.....		.5
Refinish Side Support Panel.....	R/L	.5
Refinish Lower Tie Bar.....		.5
Add to R&R Radiator Support Assy		
w/ A/C.....	m	#.2
#Includes R&I/R&R A/C Condenser		
To Aim Lamps.....		.4

Evacuate & Recharge System.....m 1.4
 Recover Refrigerant.....m .3



1 Support Assy, Radiator 03-05 53010SA0009P s #7.4 309.50
 06 53010SA0409P s #7.4 309.50
#Includes R&I Grille Assy, R&I/R&R Combination Lamp Assemblies, Hood Latch & Support, Battery, Horns, Coolant Tank, Air Duct, Radiator, Fan and Shroud as an Assy & Disconnect & Connect Hood Release Cable, Wiring &/or Harness

2 Bar, Upper Tie 53060SA0009P s #1.5 69.95
#Deduct .5 for Each Side Support Panel Removed

3 Panel, Side Support 03-05 R 53010SA0109P s 1.5 49.95
 L 53010SA0209P s 1.5 49.95
 06 R 53010SA0509P s 1.5 69.95
 L 53010SA0609P s 1.5 69.95

4 Support, Hood Latch 53040SA0009P s .3 41.95

5 Bar, Lower Tie 03-05 53010SA0309P s #2.0 80.23
 06 53010SA0709P s #2.0 80.23
#Included w/Radiator Support Assy

6 Crossmember Assy, Lower 51629SA0009P s #2.0 185.40

7 Bar, Lower Tie (a) 53010SA0309P s #2.0 80.23

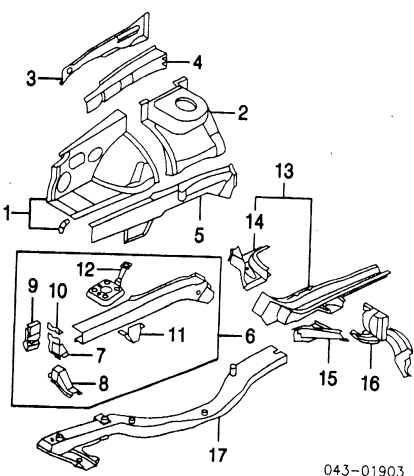
8 Plate, Lower Tie Bar (a) R 51635SA0009P s #2.0 26.00
 L 51635SA0109P s #2.0 26.00

9 Crossmember, Lower (a) 51620SA0409P s #2.0 34.67

10 Gusset, Crossmember (a) R 51636SA0019P s #2.0 16.82
 L 51636SA0119P s #2.0 16.82
*(a) Included w/Lower Crossmember Assy
 #R&R Complete, Deduct .5 for Each Side Support Panel Removed*

SIDE

Refinish Apron/Rail Assy.....R/L 2.0
 Refinish Front Apron.....R/L .5
 Refinish Rear Apron.....R/L .5
 Refinish Apron Uptr Otr Reinf.....R/L .5
 Refinish Front Rail.....R/L 1.0



1 Apron, Front 03-05 R 51602FE020 s 4.5 286.43
 L 51602SA0209P s 4.5 215.15
 06 R 51602SA0909P s 4.5 215.15
 L 51602SA1009P s 4.5 215.15

2 Apron, Rear 03-05 R 51625FE000 s #3.0 d136.82
 L 51625FE010 s #3.0 136.82
 06 R 51625FE001 s #3.0 132.83
 L 51625FE011 s #3.0 132.83
#w/Front Apron Removed

3 Reinf, Apron Upper Otr R 51021SA0009P s #1.5 45.05
 L 51021SA0109P s #1.5 45.05

4 Reinf, Apron Upper Inr R 31810FE020 s #1.5 74.25
 L 51610FE030 s #1.5 74.25

#R&R One Side Complete

5 Plate, Closing 03-05 R 51615FE001 s 1.5 262.63
 L 51615FE011 s 1.5 262.63
 06 R 51615FE001 s 1.5 262.63
 L 51615FE110 s 1.5 158.85

6 Rail Assy, Front 03 R 51620SA0209P s #6.5 141.32
 L 51620SA0309P s #6.5 141.32
 04-05 R 51620SA1709P s #6.5 141.32
 L 51620SA1809P s #6.5 141.32
 06 R 51620SA2709P s #6.5 137.20
 L 51620SA2809P s #6.5 137.20

#w/Side Support Panel Removed Deduct .5, w/Front Apron Removed Deduct 3.0

7 Plate, Lower Tie Bar R 51635SA0009P s #1.5 26.00
 L 51635SA0109P s #1.5 26.00
 R 51636SA0019P s #1.5 16.82
 L 51636SA0119P s #1.5 16.82

8 Gusset, Crossmember R 51625SA0009P s #1.5 27.72
 L 51625SA0109P s #1.5 27.72
 R 51625SA0019P s #1.5 27.72
 L 51625SA0119P s #1.5 27.72
 2004-06 R 51625SA0019P s #1.5 27.72
 L 51625SA0119P s #1.5 27.72
 R 51625SA0209P s #1.5 22.52
 L 51625SA0309P s #1.5 22.52

9 Bracket, Fender 2003 To 8-02 R 51625SA0009P s #1.5 27.72
 L 51625SA0109P s #1.5 27.72
 From 9-02 R 51625SA0019P s #1.5 27.72
 L 51625SA0119P s #1.5 27.72
 2004-06 R 51625SA0019P s #1.5 27.72
 L 51625SA0119P s #1.5 27.72
 R 51625SA0209P s #1.5 22.52
 L 51625SA0309P s #1.5 22.52

10 Bracket, Bumper R 51625SA0009P s #1.5 27.72
 L 51625SA0109P s #1.5 27.72
 R 51625SA0019P s #1.5 27.72
 L 51625SA0119P s #1.5 27.72
 R 51625SA0209P s #1.5 22.52
 L 51625SA0309P s #1.5 22.52

#R&R One Side Complete

11 Bracket, Crossmember R 51625FE100 s 1.5 31.22
 L 51625FE110 s 1.5 31.22

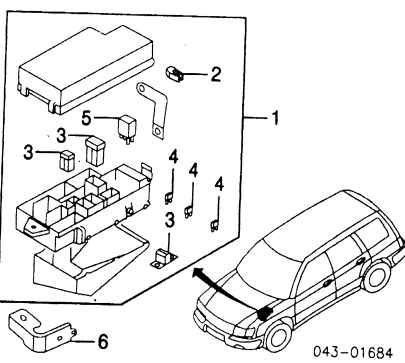
12 Bracket, Washer Tank 03-05 L 51625SA1609P .3 35.35
 06 L 51625SA1809P .3 33.65
#Included w/Front Rail Assy

13 Rail Assy, Rear R 51620SA0909P s #4.5 237.98
 L 51620SA1009P s #4.5 237.98
#w/Front Rail Removed Deduct 1.5

14 Reinforcement, Rail (a) R 51630FE042 s 2.0 26.92
 L 51630FE052 s 2.0 26.92
(a) Included w/Rear Rail Assy

15 Bracket, Rail R 51620FE150 s 2.0 26.00
 L 51620FE160 s 2.0 26.00
 R 51625FE510 s 2.5 67.58
 L 50515SA000 .6 223.10
 L 50515SA010 .6 223.10

ELECTRICAL COMPONENTS



1 Box Assy, Fuse (a) 2.5 X, 2.5 XS, L.L. Bean Model 82231SA000 m 148.73
 2.5 XT Model 82231SA200 m 148.73
(a) Order by Application

2 Puller, Fuse 82233FC000 19.92

3 Fuse, Main 30 Amp (2) 82211FC030 m .1 1.92
 50 Amp (3) 82211FC050 m .1 1.92
 100 Amp 82211FC100 m .1 21.28

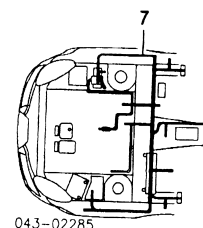
4 Fuse, Secondary 10 Amp 82210FC010 m 1.48
 2003 (6) 82210FC010 m 1.48
 2004-06 (4) 82210FC010 m 1.48
 15 Amp 82210AE15A m 1.18
 2003 (16) 82210AE15A m 1.18
 2004-06 (11) 82210AE15A m 1.18
 20 Amp 82210AE20A m 1.44
 2003 (4) 82210AE20A m 1.44
 2004-06 (2) 82210AE20A m 1.44
 30 Amp (2) 82210FC030 m 4.07

5 Relay 2003 (5) 82501FC000 m .2 41.60
 2004-06 (3) 82501FC000 m .2 41.60
#Included w/Fuse Box Assy

6 Bracket, Fuse Box 81042AA020 4.22

Illustration Located in Next Column

7 Harness, Eng Compartment (a) 2.5 X 81412SA200 m 1079.04
 2.5 XS, L.L. Bean Model 81422SA150 m 1207.60
 2.5 XT Model 81432SA210 m 1151.19
(a) Order by Application

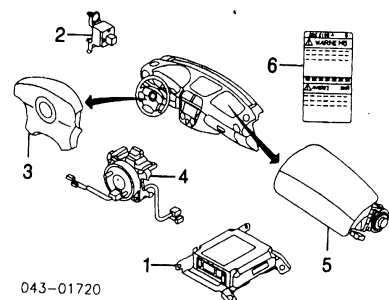


AIR BAG SYSTEM

Use Procedure Explanation 30 with the following text.
NOTE 1: R&R Does Not include disable and enable or diagnose Air Bag System.
NOTE 2: Refer to Procedural Explanation 30 for Supplemental Restraint/Air Bag System Component Inspection and Replacement Information.
NOTE 3: For Air Bag System Service procedures, refer to Manufacturer's Service Repair Manual or Mitchell's Air Bag Service and Repair Manual.

FRONT

Disable & Enable Air Bag System.....m .3
 Diagnose Air Bag System.....m #5
#Includes Disconnect & Connect Scan Tool & Retrieval/Clear Trouble Codes



1 Module, Air Bag Control 2003 98221SA031 m .6 683.19
 2004-05 98221SA080 m .6 683.19
 2006 To 9-05 98221SA090 m .6 683.19
 From 10-05 98221SA210 m .6 699.97

2 Sensor, Front Impact R 98231SA000 m #2 95.35
 L 98231SA010 m #2 95.35
#w/Grille Assy Removed

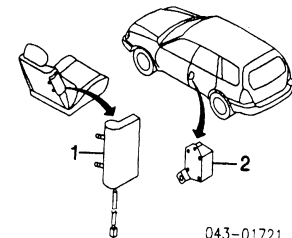
3 Module, Driver Air Bag 03-04 98211SA020 m .3 722.19
 05 98211SA070 m .3 722.19
 06 98211SA060 m .3 722.19

4 Clockspring (a) 2003-04 83116SA010 m 1.1 252.35
 2005 Man Trans 83116SA030 m 1.1 252.35
 Auto Trans 83116SA050 m 1.1 252.35
 2006 Man Trans 83116SA060 m 1.1 252.35
 Auto Trans 83116SA070 m 1.1 252.35
*#Included w/Combination Switch Assy-listed in Steering Wheel/Column Section
 (a) Order by Application*

5 Module, Passenger Air Bag 03-04 98271SA010ML m #7 1074.01
 05 98271SA050ML m #7 1074.01
 06 98271SA030ML 1074.01
#w/Glove Box Removed

SIDE

Disable & Enable Air Bag System.....m .3
 Diagnose Air Bag System.....m #5
#Includes Disconnect & Connect Scan Tool & Retrieval/Clear Trouble Codes



SUBARU FORESTER 2003-06

AIR BAG SYSTEM Cont'd

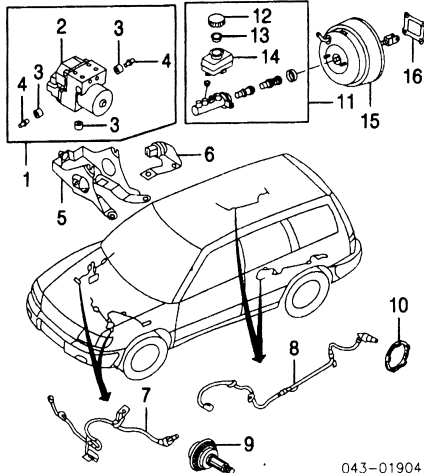
SIDE Cont'd

1 Module, Side Air Bag	03-05 R	98201SA020	m	#.4	466.64
	L	98201SA030	m	#.4	466.64
	06 R	98201SA040	m	#.4	466.64
	L	98201SA050	m	#.4	466.64
<i>#w/Front Seat Assy Removed</i>					
2 Sensor, Side Air Bag	03-05 R	98235SA020	m	#.2	469.91
	L	98235SA030	m	#.2	469.91
	06 R	98235SA060	m	#.2	469.91
	L	98235SA070	m	#.2	469.91
<i>#w/Trim Removed</i>					

ABS/BRAKES

Bleed System.....m .6

NOTE: R&R Does Not include bleed brake system.

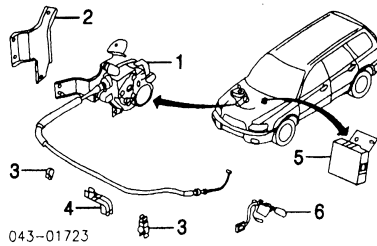


1 Actuator Assy, ABS Man Trans	03-04	27594SA011	m	1.0	759.95
	05	27594SA060	m	1.0	759.95
	06	27594SA080	m	1.0	794.44
	06	27594SA080	m	1.0	794.44
Auto Trans	03-04	27594SA001	m	1.0	759.95
	05	27594SA050	m	1.0	759.95
	06	27594SA071	m	1.0	762.94
	06	27594SA071	m	1.0	762.94
2 Control Unit, ABS [†] Man Trans	03-04	27529SA011	m	1.2	346.87
	05	27529SA060	m	1.2	346.87
	06	27529SA080	m	1.2	346.87
	06	27529SA080	m	1.2	346.87
Auto Trans	03-04	27529SA001	m	1.2	346.87
	05	27529SA050	m	1.2	346.87
	06	27529SA071	m	1.2	355.42
	06	27529SA071	m	1.2	355.42
3 Damper, Actuator [†] (2)	03-04	27532AC020	m	m	14.17
	05-06	27533AG020	m	m	10.93
4 Bolt, Stud [†] (2) <i>†Included w/ABS Actuator Assy</i>	03	27535AC100	m	#.2	30.30
	04-06	27537SA002	m	#.2	30.30
<i>#w/Actuator Assy Removed</i>					
6 G-Sensor, ABS	R/L	27540FE091	m	.6	276.05
	R/L	27540AE020	m	.6	129.95
7 Sensor, Front ABS	R	27540SA030	m	.6	149.98
	L	27540SA030	m	.6	149.98
8 Sensor, Rear ABS	R	27540SA000	m	.6	164.03
	L	27540SA010	m	.6	164.03
9 Rotor, Front ABS Sensor (a)-See Front Drive Axle Section (a) Serviced w/Outer Joint	R/L	26750AA014	m	m	80.85
	R/L	26401FA031	m	.6	159.95
11 Cylinder Assy, Brake Master		26453AC000	m	m	10.55
12 Cap, Cylinder (b)		26448AC110	m	m	8.48
13 Filter, Cylinder (b)		26451AC000	m	.3	20.90
14 Reservoir, Cylinder (b) (b) Included w/Brake Master Cylinder Assy		26402SA060	m	#1.3	336.05
		26402SA070	m	#1.3	336.05
15 Booster, Brake	2003	26402SA060	m	#1.3	336.05
	2004	26402SA070	m	#1.3	336.05
	2005-06	26402SA070	m	#1.3	336.05
	2.5 X, 2.5 XS, L.L. Bean Model 2.5 XT Model	26402SA070	m	#1.3	336.05
Man Trans		26402SA070	m	#1.3	336.05
		26402SA080	m	#1.3	336.05
<i>†Includes R&R Brake Master Cylinder</i>					
16 Seal, Brake Booster		725042000	m	m	1.83

CRUISE CONTROL SYSTEM

Illustration Located in Next Column

1 Actuator, Cruise	87012SA010	m	.5	234.25
2 Bracket, Actuator Clip, Hose	87015FE000	m	m	8.35



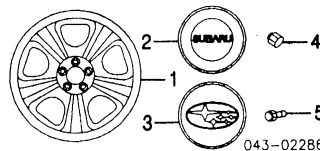
3 Outer	R	909205037	m	1.94
	L	909205036	m	.64
4 Inner		37122FA020	m	2.18
5 Computer, Cruise	03-04	87022SA010	m	.5
	05-06	N.A.	m	.5
0.00				
6 Switch, Cruise Control [†] -See Steering Wheel/Column Section <i>†Included w/Steering Wheel Assy</i>				

WHEEL

Use Procedure Explanation 10 with the following text.

STEEL WHEEL

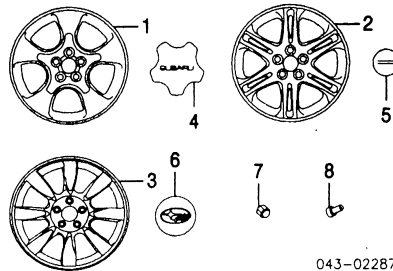
Refinish Wheel.....	.5
Add to R&I Spare Wheel & Tire Assy.....	.2



1 Wheel, Steel	03-05	28111SA000	.3	123.77
	06	28111SA001	.3	126.98
Cap, Center				
2	2003-05	28811FC000		14.95
3	2006	28821SA020		19.95
4 Nut, Lug		623006021		2.25
5 Stem, Valve		28102AA000		.84

ALLOY WHEEL

Add to R&I Spare Wheel & Tire Assy..... .2

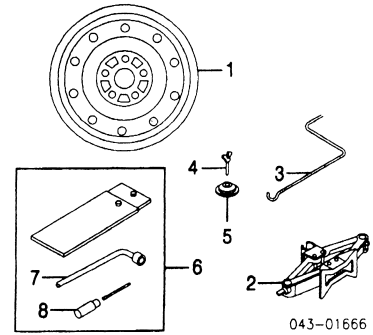


Wheel, Alloy					
1	5 Spoke	03-05	28111SA020	.3	137.76
	6 Spoke	06	28111SA090	.3	329.95
	8 Spoke		28111SA100	.3	329.95
Cap, Center					
4	5 Spoke Wheels		28811AC020		5.31
5	6 Spoke Wheels		28811AE000		12.85
6	8 Spoke Wheels				
7	Nut, Lug		623006021		2.25
8	Stem, Valve		28102AA000		.84

SPARE WHEEL & HARDWARE

Illustration Located in Next Column

1 Wheel, Spare	Argent	28111FC070		138.93
	Black	28111AG230		141.78
2 Jack		97030FC110		71.45
3 Handle, Jack		97040AC010		7.57
4 Holder, Spare Tire		97052FE000		6.75
5 Support, Spare		97052PA010		6.75
6 Tool Kit, Spare		97010AA000		45.27
7 Wrench, Lug [†]		797014000		d16.70
8 Screwdriver [†]		97014TC000		7.42
<i>†Included w/Spare Tool Kit</i>				



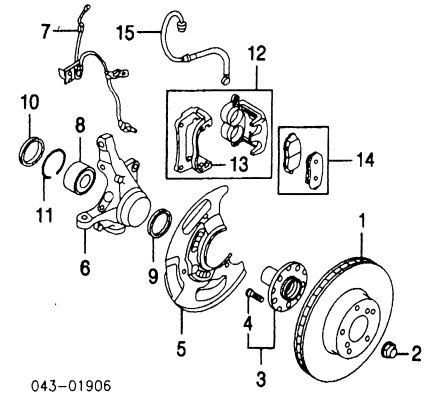
FRONT SUSPENSION

Use Procedure Explanation 11 with the following text.

R&I Suspension.....	R/Lm	1.5
O/H Suspension (Includes R&I)		
One Side.....	R/Lm	4.3
Both Sides.....	m	8.0
Adjust Four Wheel Alignment.....	m	1.6
Adjust Front Alignment.....	m	1.0
Bleed Brake System.....	m	.6

NOTE 1: R&I/R&R or O/H Does Not include alignment or bleed brake system.

NOTE 2: All Parts in this section are included in overhaul unless noted otherwise.



1 Rotor, Brake	R/L	26300AE061	m	#.6	89.95
<i>#R&R Both Sides 1.0</i>					
2 Nut, Axle	R/L	28044AA000	m	m	4.37
3 Hub Assy	R/L	28362AE000	m	#3.1	121.50
4 Bolt, Hub [†]	R/L	28055AA002	m	m	2.25
<i>†Included w/Hub Assy</i>					
5 Shield, Splash	03 R	26290FE000	m	#3.1	d20.77
	L	26290FE010	m	#3.1	d19.58
6 Knuckle, Steering	04-06 R/L	26290FE050	m	#3.1	20.77
	R	28313AE020	m	#3.1	207.95
	L	28313AE030	m	#3.1	207.95
7 Sensor, Front ABS-See ABS/Brakes Section					
8 Bearing, Hub	R/L	28316FE000	m	#3.1	76.73
9 Seal, Outer	R/L	28015AA070	m	#3.1	8.83
10 Seal, Inner	R/L	28015AA080	m	#3.1	10.70
11 Ring, Snap	R/L	28035AA010	m	#3.1	2.95
<i>#R&R One Side Complete, Includes R&R Rotor, R&R Both Sides 6.0</i>					
12 Caliper Assy, Brake	R	26292SA000	m	#.5	283.85
	L	26292SA010	m	#.5	283.85
<i>#R&R Both Sides .8, w/Rotor Removed Deduct .3</i>					
13 Support, Caliper (a)	R	26225SA000	m	m	71.07
	L	26225SA010	m	m	71.07
<i>(a) Included w/Brake Caliper Assy</i>					
14 Pad Set, Brake		26296SA020	m	#1.0	89.95
<i>#Deduct .5 for Each Caliper Removed</i>					
15 Hose, Brake	03-04 R	26540AE010	m	#.3	34.67
	L	26540AE030	m	#.3	34.67
	05-06 R	26540SA020	m	#.3	40.40
	L	26540SA030	m	#.3	40.40
<i>#w/Caliper Removed Deduct .2</i>					
Illustration Located in Next Column					
16 Spring, Coil (b)	R/L	20330SA090	m	#2.0	74.50
17 Strut (b)	R	20310SA041	m	#2.0	149.95
	L	20310SA051	m	#2.0	149.95
<i>(b) Order by Application</i>					
18 Bumper	03-04 R/L	20321AA101	m	#2.0	25.40

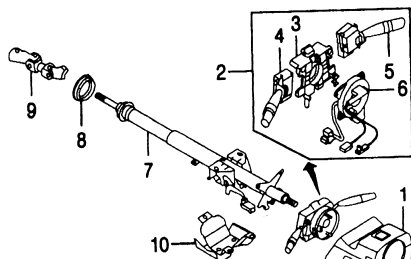
STEERING WHEEL/COLUMN Cont'd

WHEEL & TRIM Cont'd

4 Module, Driver Air Bag-See Air Bag System Section

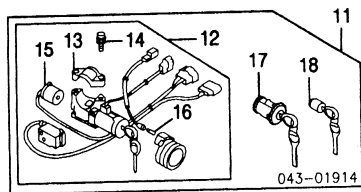
COLUMN TILT

Table with 2 columns: Description, Part Number, Quantity, Unit, Price. Includes R&L Steering Column and O/H Steering Column.



043-01910

Parts list for steering wheel and column assembly, including cover, switch, body, and wiper switch.



043-01914

Parts list for lock set and steering lock assembly, including man trans, 2.5 X model, and 2.5 XT model.

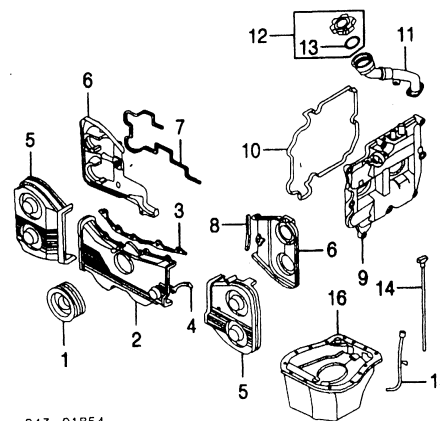
Parts list for steering wheel and column assembly, including 2.5 X Model, 2.5 XS, 2.5 XT Model, and 2005-06 models.

ENGINE/TRANS

Use Procedure Explanation 12 with the following text.

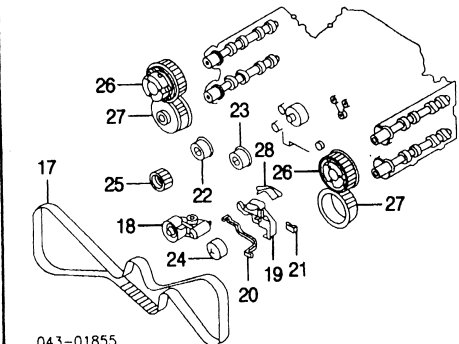
W/TURBO

R&L Engine/Trans Assy m 6.7



043-01854

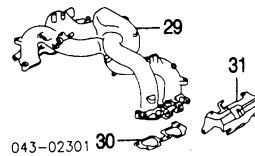
Parts list for W/TURBO engine/trans assembly, including pulley, cover, seal, and dipstick.



043-01855

17 Belt, Timing 13028AA240 m #3.2 149.95

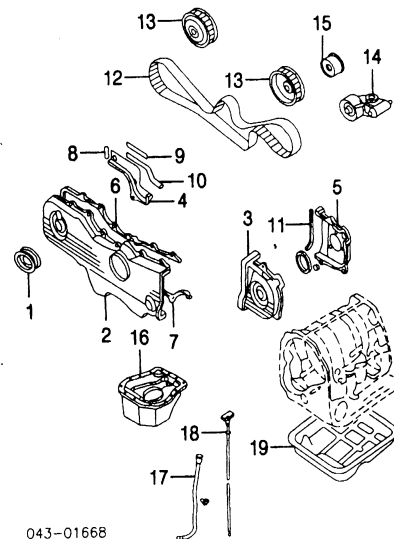
Parts list for engine/trans assembly (R&L) including tensioner, timing belt, pulley, and sprocket.



Parts list for manifold, gasket, and shield assembly, including manifold, gasket, and shield.

W/O TURBO

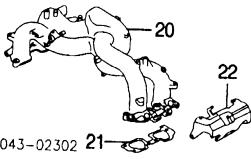
R&L Engine/Trans Assy m 5.3



043-01668

Parts list for W/O TURBO engine/trans assembly, including pulley, cover, timing belt, and dipstick.

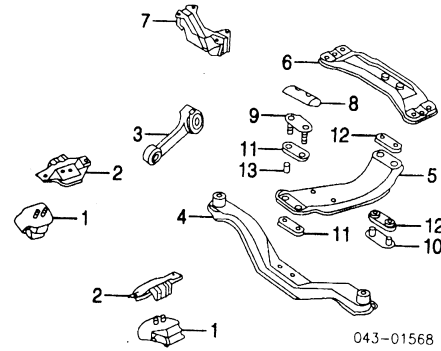
Labor Times Shown are for Replacement with New OEM Undamaged Parts on New Undamaged Vehicles.



20 Manifold, Intake	L 14001AB791	347.30
21 Gasket, Manifold	R/L 14035AA383	5.40
<i>(Order by Application)</i>		
22 Shield, Heat	R 14030AA080	53.82
	L 14030AA070	53.82

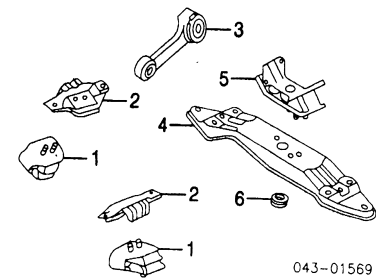
ENGINE/TRANS MOUNTS

MAN TRANS



1 Mount, Engine 2003			
To 9-02	R/L 41022FA000	#.9	47.38
From 10-02	R 41022FE050	#.9	77.38
	L 41022FE060	#.9	77.38
2004-06	R 41022FE050	#.9	77.38
	L 41022FE060	#.9	77.38
#R&R Both Sides 1.5			
2 Bracket, Eng Mount w/Turbo	R 41031AA281		33.18
	L 41031AA290		34.18
w/o Turbo	R 41031FA080		14.33
	L 41031FA090		14.33
	L 41040AE010		41.62
3 Rod, Stopper		.3	
4 Crossmember, Front 2003	41011SA000	#.9	100.55
To 6-02	41011SA010	#.9	100.95
From 7-02	41011SA011	#.9	103.98
2004-06	41021AC470	#.9	101.15
5 Crossmember, Center	41021AC470	#.9	101.15
6 Crossmember, Rear #R&R Complete 2.5	41011SA020	#.9	51.98
7 Mount, Trans	41022FE020	.6	95.35
8 Damper, Dynamic	41023AC010		53.38
9 Plate, Front Crossmember	41025AC000		10.38
10 Plate, Rear Crossmember	41025AC040		9.07
11 Cushion, Front Crossmember Upper	41022GA200		4.47
Lower	41022GA400		4.47
12 Cushion, Rear Crossmember Upper	41022GA400		4.47
Lower	41022GA200		4.47
13 Spacer, Crossmember (4)	41037AC000		5.92

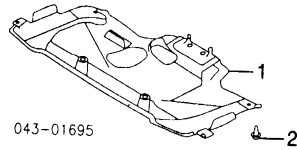
AUTO TRANS



1 Mount, Engine 2003			
To 9-02	R/L 41022FA000	#.9	47.38
From 10-02	R 41022FE050	#.9	77.38
	L 41022FE060	#.9	77.38
2004-06	R 41022FE050	#.9	77.38
	L 41022FE060	#.9	77.38
#R&R Both Sides 1.5			
2 Bracket, Eng Mount w/Turbo	R 41031AA281		33.18

w/o Turbo	L 41031AA290	34.18
	R 41031FA080	14.33
	L 41031FA090	14.33
3 Rod, Stopper	41040AE010	41.62
4 Crossmember, Trans	41021AC390	93.30
5 Mount, Trans	41022AE120	78.25
6 Cushion, Trans	41022AE19A	2.88

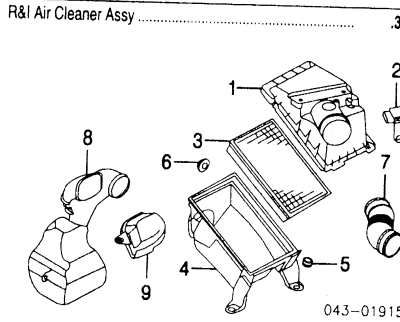
ENGINE UNDER COVER



1 Cover, Under 2.5 X, 2.5 XS, L.L. Bean Model	56410SA070	.3	101.08
2.5 XT Model	56410SA080	.3	101.08
2 Clip, Under Cover (2/Side)	R/L 57728AC090		1.18

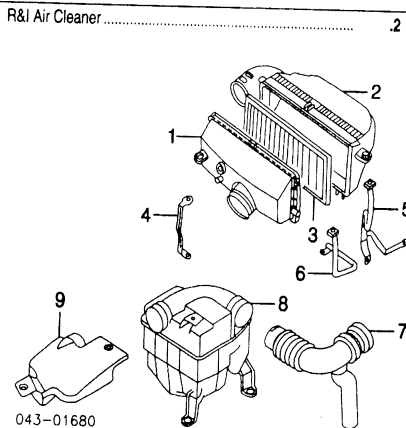
AIR CLEANER

W/TURBO



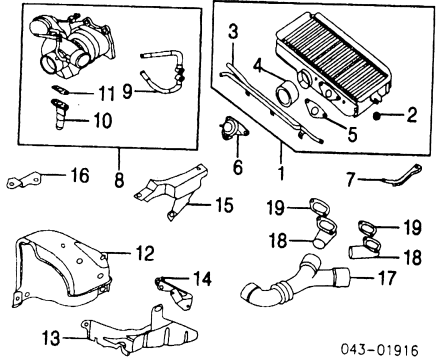
R&I Air Cleaner Assy		.3	
1 Cover, Upr Air Cleaner #Includes R&R Air Cleaner Element	46052SA000	#.2	107.22
2 Meter, Air Flow	22680AA310	m .3	252.35
3 Element, Air Cleaner	16546AA020	.2	14.95
4 Cover, Lwr Air Cleaner #Includes R&R Upper Air Cleaner Cover & Element	46051AE000	#.3	102.23
5 Cushion, Lower (2)	46060AC030		2.05
6 Cushion, Side	46060AC050		2.13
7 Duct, Air Cleaner	46023FC041		60.57
8 Chamber, Air Cleaner	46060FE010	.2	0.00
9 Duct, Air Intake	46012SA010	.2	22.52

W/O TURBO



R&I Air Cleaner		.2	
1 Cover, Frt Air Cleaner	16520AA151	.2	104.12
2 Cover, Rear Air Cleaner #Includes R&R Upper Air Cleaner Cover & Element	16520AA032	#.3	104.12
3 Element, Cleaner	16546AA020	.2	14.95
4 Stay, Air Cleaner Frt	16563AA122		5.88
Stay, Air Cleaner Rear			
5 Man Trans	16563AA072		23.90
6 Auto Trans	16563AA083		20.38
7 Duct, Air Cleaner	46012SA040	.3	27.72
8 Resonator	46043SA000	.3	34.67
9 Duct, Air Intake	46012SA000	.3	22.52

TURBOCHARGER/INTERCOOLER

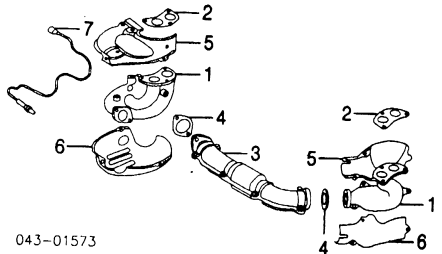


1 Intercooler Assy	03-05 21820AA300	m	1.0	600.44
	06 21820AA340	m	1.0	600.44
2 Insulator, Intercooler	45668AA000			2.43
3 Tube, Vacuum	11852AA062			53.02
4 Hose, Air Duct	21869AA111			21.35
5 Gasket, By-Pass Valve	03-04 21896AA100			21.35
	05-06 21869AA111			21.35
<i>#Included w/Intercooler Assy</i>				
6 Valve, Air By-Pass	14471AA160	m	.7	163.75
7 Stay, Intercooler	21885AA163			18.20
8 Turbocharger Assy	03-04 14411AA532	m	1.9	969.65
	05-06 14411AA630	m	1.9	969.65
9 Pipe, Inlet (a)	14430AA121	m	.8	84.93
10 Pipe, Outlet (a)	15197AA060	m	.8	32.13
11 Gasket, Outlet Pipe (a)	15196AA060	m		1.04
<i>(a) Included w/Turbocharger Assy</i>				
12 Shield, Upper Heat	44031FE000			43.37
13 Shield, Lower Heat	44031FE020			19.07
14 Bracket, Shield	44021AA012			16.15
15 Stay, Frt Turbocharger	14421AA021			43.32
16 Stay, Rear Turbocharger	14427AA022			10.40
17 Duct, Air Intake	14462AA282	m	#3.8	118.98
18 Housing, Air Intake	R 21830AA031	m	#3.8	51.98
	L 21830AA040	m	#3.8	45.05
#R&R Complete, Includes R&R Intercooler				
19 Gasket, Housing	R/L 21896AA110	m		21.98

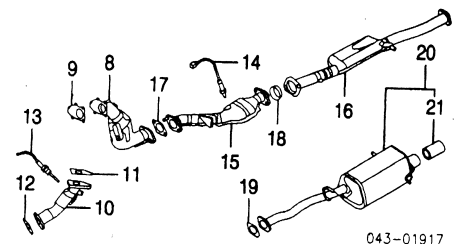
EXHAUST

W/TURBO

R&R Exhaust System Complete		#2.3	
#Does Not Include R&R Exhaust Manifolds or Heat Shields			



1 Manifold, Exhaust	R 14010AA111	m	1.0	326.33
	L 14023AA090	m	.8	132.83
2 Gasket, Manifold	R/L 14038AA000			15.52
3 Pipe, Manifold Joint	03-05 44101SA020		.8	371.83
	06 44615AA000		.8	302.58
4 Gasket, Pipe (2)	44022AA160			19.88
5 Shield, Upper Heat	R 14085AA103			57.18
	L 14090AA070			72.43
6 Shield, Lower Heat	R 14086AA093			72.43
	L 14091AA000			119.82
7 Sensor, Front Oxygen	22641AA211	m	.5	199.95



8 Pipe, Turbo Outlet Man Trans	03-05 44102SA000	#2.3	743.38
	06 44612AA180	#2.3	743.38

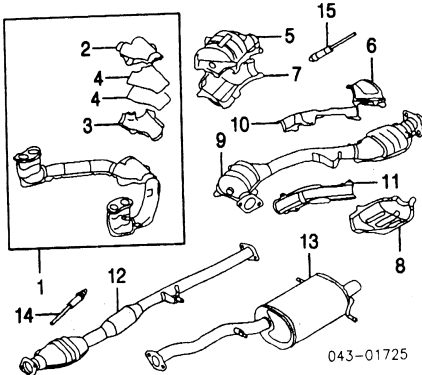
EXHAUST Cont'd

W/TURBO Cont'd

Auto Trans	03-05	44102SA010	#2.3	743.38
	06	44612AA190	#2.3	743.38
#Includes R&R Turbocharger				
9 Gasket, Outlet		44022AA180		21.17
10 Pipe, Exhaust Joint	03-05	44104FE080	.8	352.50
	06	44104FE090	.8	349.43
		44022AA150		13.88
11 Gasket, Upper Pipe		44022AA170		13.88
12 Gasket, Lower Pipe		22629AA012	m .3	58.88
13 Sensor, Temperature				
14 Sensor, Rear Oxygen				
Man Trans		22690AA520	m .5	149.95
Auto Trans		22690AA491	m .5	149.95
		44101FE040	.8	358.57
15 Pipe, Front Exhaust	03-05	44201SA000	.5	396.02
16 Pipe, Center Exhaust	06	44201SA021	.5	396.02
		44031FC001		8.43
Hanger, Pipe		44011FE000		9.17
17 Gasket, Front Pipe		44022AA122		33.57
18 Gasket, Center Pipe		44022AA131		8.90
19 Gasket, Rear Pipe				
20 Muffler Assy	03-04	44300SA040	.6	365.91
	05	44300SA110	.6	384.21
	06	44300SA111	.6	393.40
Hanger, Muffler (3)		44031AA020		14.00
21 Extension, Muffler		44370SA000		57.20
<i>#Included w/Muffler Assy</i>				

W/O TURBO

R&R Exhaust Complete #2.0
#Does Not Include R&R Exhaust Manifolds

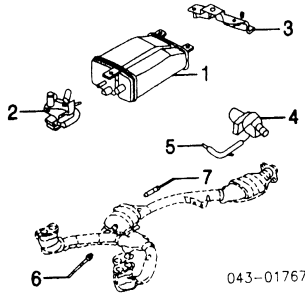


1 Pipe Assy, Front Exhaust Cover, Front Pipe		44109AE031	.9	243.75
2 Upper	03-05	44132AC551		15.35
	06	44651AA470		39.58
3 Lower		44132AC561		14.28
4 Insulator, Front Pipe (2)		44155AC120		3.40
<i>#Included w/Front Exhaust Pipe Assy</i>				
Cover, Catalytic Converter				
5 Front Upper		44132AC871		30.97
6 Rear Upper		44131AE180		23.30
7 Front Lower		44132AC171		26.00
8 Rear Lower		44131AE190		23.30
9 Converter, Catalytic Cover, Inner		44139SA010	.8	609.43
10 Upper		44131AE120		16.72
11 Lower		44131AE170		16.72
12 Pipe, Exhaust Rear				
2003-04		44200FE180	.7	216.97
2005		44200SA040	.7	365.30
To 5-05		44200SA041	.7	365.33
From 5-05		44200SA041	.7	365.33
2006		44031FC001		8.43
Hanger, Pipe		44300SA010	.5	249.95
13 Muffler	03-04	44300SA100	.5	371.55
	05	44300SA131	.5	371.55
	06	44300SA131	.5	371.55
Hanger, Muffler (3)		44031AA040		13.42
14 Sensor, Front Oxygen (a)		22641AA280	m .8	159.95
15 Sensor, Rear Oxygen (a)		22690AA640	m .8	149.95
<i>(a) Order by Application</i>				

EMISSION SYSTEM

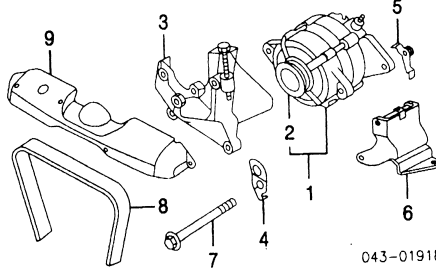
Illustration Located in Next Column

1 Canister		42036AC020	m .4	89.87
Bracket, Canister				
2 Front	03	42052SA060		55.43
	04	42052SA130		43.37
	05	42052SA170		43.37
	06	42052SA340		34.50
3 Rear	03-04	42052SA010		16.98
	05	42052SA250		31.22
	06	42052SA370		34.50
4 Valve, Solenoid		14774AA601	m .5	70.12
5 Hose, Solenoid Valve		807503440	m	10.55



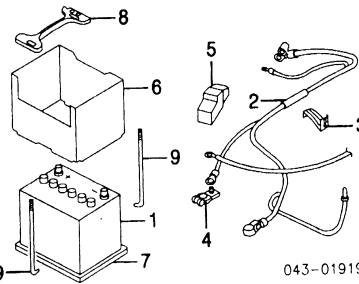
6 Sensor, Front Oxygen-See Exhaust Section
 7 Sensor, Rear Oxygen-See Exhaust Section

ELECTRICAL ALTERNATOR



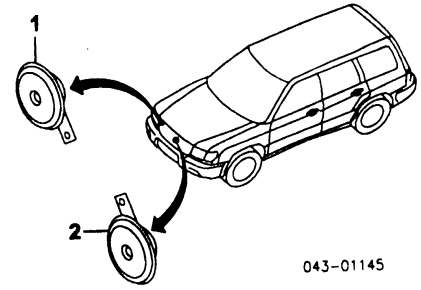
1 Alternator Assy	23700AA370	m .6	429.96
2003-05			
2006	23700AA521	m .5	499.99
w/Turbo	23700AA540	m .6	469.96
2 Pulley, Alternator	23752AA070	m #.8	78.78
w/Turbo	23752AA050	m #.8	83.45
<i>#Included w/Alternator Assy</i>			
#Includes R&R/R Alternator-See Steering Pump Section			
3 Bracket, Steering Pump/Alternator-See Steering Pump Section			
4 Bracket, Alternator Frt	11711AA051		29.20
w/o A/C	11717AA060		4.10
5 Bracket, Alternator Rear			
6 Bracket, Alternator Lwr	11711AA051	#.2	29.20
w/o A/C			
#w/Alternator Assy Removed			
7 Bolt, Alternator	800708380		1.98
8 Belt, Drive	809218380	1.0	17.95
9 Cover, Drive Belt	23774AA010		42.47
w/Turbo			
w/o Turbo-See Steering Pump Section			

BATTERY



1 Battery	N.A.	.2	0.00
Cable, Battery			
Positive/Negative			
Man Trans	81601SA010	.5	55.43
Auto Trans	81601SA110	.5	57.18
	81041FE070	.2	6.07
3 Bracket, Cable	81608GA110		12.50
4 Terminal, Positive Cable	81611AA000		5.20
5 Cover, Positive Terminal	82123SA001		16.82
6 Cover, Battery	82122AA011		8.75
7 Tray, Battery	82182AA040		9.02
8 Holder, Battery	82161AA041		3.32
9 Bolt, Battery (2)			

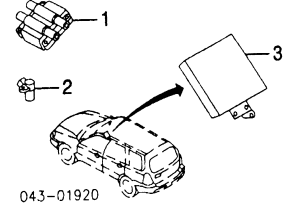
HORN



1 Horn, High Note	03-05	86012SA010	.3	28.60
	06	86012SA050	.3	39.22
2 Horn, Low Note	03-05	86012SA000	.3	28.60
	06	86012SA040	.3	39.22

IGNITION W/TURBO

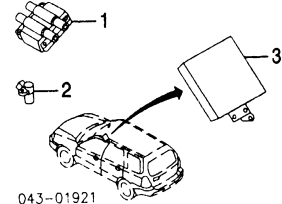
R&R Ignition Coils Complete m .6



1 Coil, Ignition (4)	22433AA540	m .3	99.98	
2 Sensor, Crank Angle	22053AA052	m .7	34.22	
3 Control Unit, EGR				
Man Trans	04	22611AJ472	m 1.0	631.84
	05-06	22611AJ573	m 1.0	631.84
Auto Trans	04	22611AH702	m 1.0	631.84
	05-06	22611AJ583	m 1.0	631.84

#Order by Application

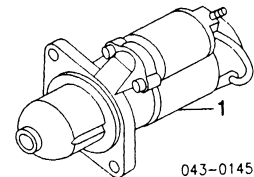
IGNITION W/O TURBO



1 Coil, Ignition	03-04	22433AA140	m .5	253.08
	05-06	22433AA500	m .5	160.57
2 Sensor, Crank Angle		22053AA052	m .6	34.22
3 Control Unit, EGR				
2003		22611AG597	m 1.0	631.84
2004		22611AJ011	m 1.0	631.84
2005-06				
Man Trans		22611AJ573	m 1.0	631.84
Auto Trans		22611AJ583	m 1.0	631.84

#Order by Application

STARTER



1 Starter				
Man Trans	23300AA450	m 1.0	425.76	
Auto Trans	23300AA460	m 1.0	425.76	

WINDSHIELD

Use Procedure Explanation 13 with the following text.

R&I Windshield	#2.4
#Includes Clean Up Old Adhesive as Necessary	

